



Project _____
 AIA # _____ SIS # _____
 Item # _____ Quantity _____ C.S.I. Section 114000



DEALERS CHOICE G-SERIES - R290

G-SERIES - R290

1-Section Refrigerator Pass-Thru

Self-Contained Hinged Glass & Solid Door Combinations



(Shown with solid doors)

STANDARD PRODUCT FEATURES

- High Performance, Energy Efficient Refrigeration System
- Reliable Microprocessor Control With LED Temperature Display
- Evaporator Coil Outside Food Zone Provides More Usable Space
- Load-Sure Guard Prevents Problems From Improper Loading
- Durable All-Metal Construction
- Stainless Steel Front & Louver Panel, Triple Pane Glass Door & Stainless Steel Door, Anodized Aluminum Sides & Interior
- Full or Half Height Door Models with a Variety of Hinging Configurations
- Long Life EZ-Clean Door Gaskets
- Three (3) Epoxy Coated Shelves Per Section (factory installed)
- Easy to Maintain Front Facing Condenser Coil
- 6" High Locking Casters
- Guaranteed for Life Door Handles (Solid Door Only) & Hinges
- 3-Year Parts & Labor Warranty
- 2-Years Additional Compressor Parts Warranty



This unit is listed to the applicable UL, CSA and NSF Standards by an approved NRTL. Consult the factory or unit's data plate for approval information.

AVAILABLE CONFIGURATIONS

Model	Control Side Door Style/Hinging	Non Control Side Door Style/Hinging
G16042-032	Solid Half/Right	Glass Half/Right
G16043-032	Solid Half/Right	Glass Half/Left
G16044-032	Solid Half/Left	Glass Half/Left
G16045-032	Solid Half/Left	Glass Half/Right
G16052-032	Solid Full/Right	Glass Full/Right
G16053-032	Solid Full/Right	Glass Full/Left
G16054-032	Solid Full/Left	Glass Full/Left
G16055-032	Solid Full/Left	Glass Full/Right
G17042-032	Glass Half/Right	Solid Half/Right
G17043-032	Glass Half/Right	Solid Half/Left
G17044-032	Glass Half/Left	Solid Half/Left
G17045-032	Glass Half/Left	Solid Half/Right
G17052-032	Glass Full/Right	Solid Full/Right
G17053-032	Glass Full/Right	Solid Full/Left
G17054-032	Glass Full/Left	Solid Full/Left
G17055-032	Glass Full/Left	Solid Full/Right

ACCESSORIES & OPTIONS (*field installed)

- Tray Slides for 18" x 26" Sheet Pans*
- Tray Slides for 12" x 20" Food Pans*
- Tray Slides for 14" x 18" Sheet Pans*
- Tray Slides for 18" x 26", 12" x 20" & 14" x 18" Pans*
- Additional Shelves*
- 6" High Legs*
- Lower Height Casters*

*Please refer to form number TR35872 for precise kit details. See back page for tray slide versatility chart.

Approved by _____ Date _____ Approved by _____ Date _____

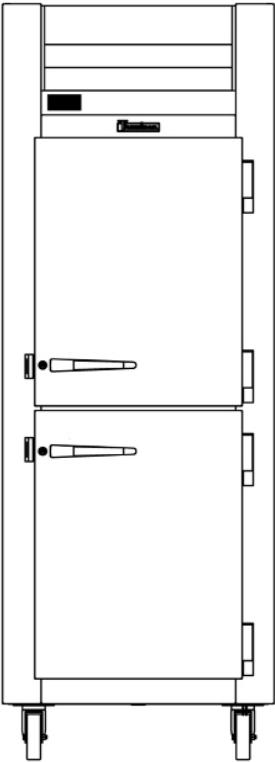


CLICK
TRANSFER
 For KCL CADalog Website

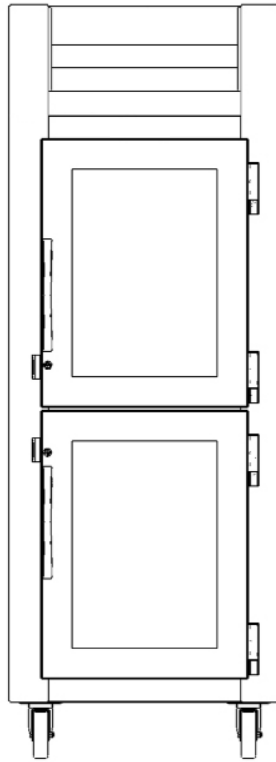
MODELS

Half Height Door Models Solid & Glass Door Combinations:
 G16042-032, G16043-032, G16044-032, G16045-032

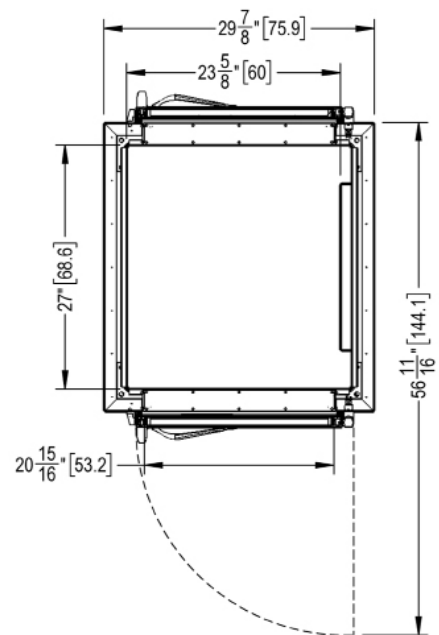
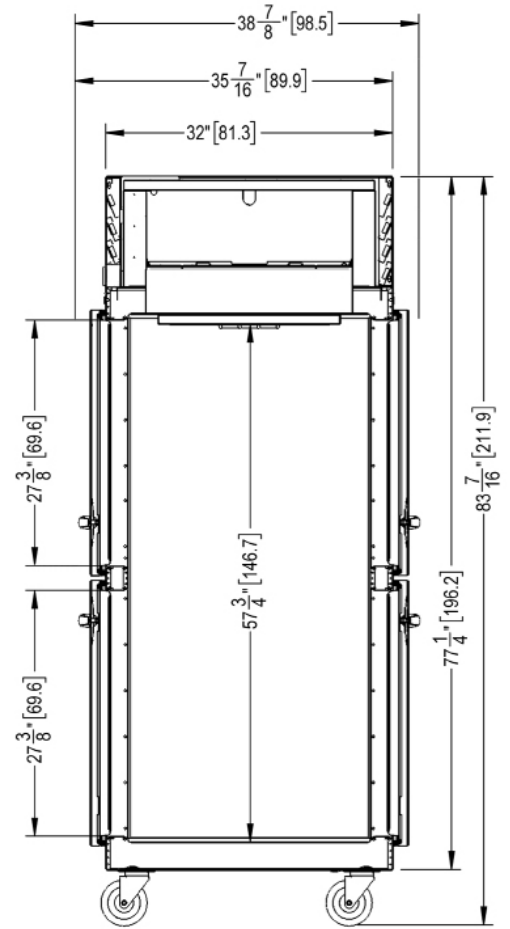
Half Height Door Models Glass & Solid Door Combinations:
 G17042-032, G17043-032, G17044-032, G17045-032



G16042-032 Control Side
 Solid Door
 Hinged Right Shown
 (other door combinations
 & hinging available)



G16042-032 Non Control Side
 Glass Door
 Hinged Right Shown
 (other door combinations &
 hinging available)



G-SERIES - R290

1-Section Refrigerator Pass-Thru
Self-Contained Hinged Glass & Solid Door(s)

CLICK
TRANSFER
For KCL CADalog Website

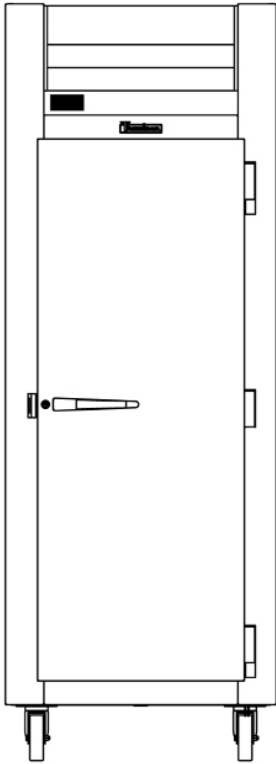
MODELS

Full Height Door Models Solid & Glass Door Combinations:

G16052-032, G16053-032, G16054-032, G16055-032

Full Height Door Models Glass & Solid Door Combinations:

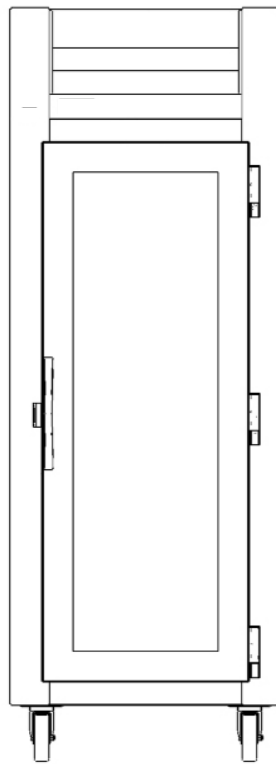
G17052-032, G17053-032, G17054-032, G17055-032



G16052-032 Control Side

Solid Door

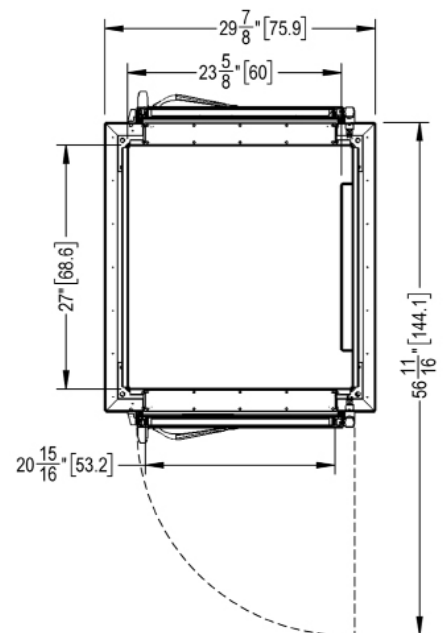
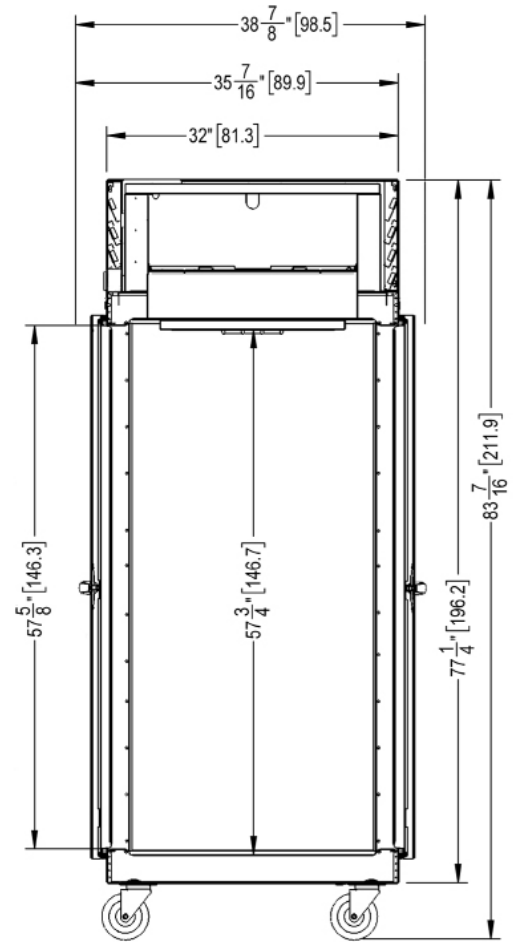
Hinged Right Shown
(other door combinations
& hinging available)



G16052-032 Non Control Side

Glass Door

Hinged Right Shown
(other door combinations
& hinging available)





G-SERIES - R290

1-Section Refrigerator Pass-Thru

Self-Contained Hinged Glass & Solid Door Combinations

MODELS

Half Height Door Models Solid & Glass Door Combinations:

G16042-032, G16043-032, G16044-032, G16045-032

Half Height Door Models Glass & Solid Door Combinations:

G17042-032, G17043-032, G17044-032, G17045-032

Full Height Door Models Solid & Glass Door Combinations:

G16052-032, G16053-032, G16054-032, G16055-032

Full Height Door Models Glass & Solid Door Combinations:

G17052-032, G17053-032, G17054-032, G17055-032

EQUIPMENT SPECIFICATIONS

CONSTRUCTION, HARDWARE, INSULATION

Cabinet exterior front, louver assembly and doors are constructed of heavy gauge stainless steel. Cabinet sides (including returns), interior and door liners are constructed of anodized aluminum. The exterior cabinet top and bottom are constructed of heavy gauge galvanized steel. A set of four (4) 6" (15 cm) high casters are included.

Doors are equipped with removable plug cylinder locks and guaranteed for life cam-lift, gravity action, self-closing metal, glide hinges with stay open feature at 120 degrees. An external switch is provided to activate the interior LED lighting.

Gasket profile and durable long life material simplify cleaning and increase overall gasket life. Anti-condensate heaters are located behind each door opening.

The cabinet is insulated with an average of 2" (5 cm) thick high density, non-CFC, foamed in place polyurethane.

SELF-CONTAINED REFRIGERATION SYSTEM

A top mounted, self-contained, refrigeration system using environmentally friendly, R-290 refrigerant is conveniently located behind the one piece louver assembly. It features an easy to clean front facing condenser, thermostatic expansion valve, air-cooled hermetic compressor, large, high humidity evaporator coil located outside the food zone and a top mounted non-electric condensate evaporator. A 9' (2.7 m) NEMA cord and 5-15P plug is provided. Standard operating temperature is 34° to 38°F (1° to 3°C).

CONTROL

The easy to use water resistant microprocessor control system is supplied standard. It includes a 3-Digit LED Display with both a Fahrenheit or Celsius Temperature Scale Display Capability.

INTERIOR ARRANGEMENTS

Standard interior arrangements include three (3) epoxy coated wire shelves per section, mounted on shelf pins, installed at the factory. Shelves are full-width, and do not have any large gaps between them requiring the use of "bridge" or "junior shelves." Recommended load limit per shelf should not exceed 225 lbs. (102kg).

DOMESTIC WARRANTY

Both a three year parts and labor warranty and a five year compressor warranty (self-contained models only) are provided standard.

NOTES:

1. Net Capacity cu. ft. = Half Height Door | Full Height Door models.
2. Height shown when mounted on standard 6" high casters.
3. Figure shown reflects the area of standard shelf complement.
4. MDEC = Maximum Daily Energy Consumption
5. Based on a 90°F ambient and 20°F evaporator.

MODELS	G160__-032 & G170__-032
DIMENSIONAL DATA	
Net Capacity cu. ft. ¹	25.03 (708.8 l) 25.29 (716.1 l)
L x D x H - Overall in. ²	29 ⁷ / ₈ [75.9 cm] x 37 ¹ / ₁₆ [96.4 cm] x 83 ⁷ / ₁₆ [211.9 cm]
Depth - over body in.	32 [81.3 cm]
Depth - door open 90° in.	83 ³ / ₈ [211.8 cm]
Clear half-door W x H in.	21 ¹ / ₈ [53.6 cm] x 27 ¹ / ₂ [69.9 cm]
Clear full-door W x H in.	21 ¹ / ₈ [53.6 cm] x 57 ⁵ / ₈ [146.3 cm]
No. Standard Shelves	3
Shelf Area sq. ft. ³	18.8 [1.75 sq m]
ELECTRICAL DATA	
Voltage Plug	115/60/1 NEMA 5-15P (attached)
Feed wires with ground	3
Full Load Amperes MDEC ⁴	6.1 2.47 kWh/Day
REFRIGERATION DATA	
Refrigerant	R-290
Refrigerant Charge Amt. oz	5.3 oz [150.3 g]
BTU/HR H.P. ⁵	2740 1/3 HP
Required Clearance	12" Above
SHIPPING DATA	
L x D x H Crated in.	48 [122 cm] x 42 [107 cm] x 85 [216 cm]
Volume Crated cu. ft.	99 [2803 l]
Uncrated Crated Weight lbs.	320 [145 kg] 365 [166 kg]

OPTIONAL ACCESSORY TRAY SLIDE VERSATILITY CHART

TRAY SLIDE DRAWINGS						
TRAY SLIDE OFFERING	#1 (1) 18" x26" or (2) 14"x18"	#4 (Rod Type) (1) 18" x26"	Universal (1) 18" x26" or (2) 14"x18" or (2) 12"x20"	#1 EZ-Change (1) 18" x26" or (2) 14"x18"	Universal EZ-Change (1) 18" x26" or (2) 14"x18" or (2) 12"x20"	HD Universal EZ-Change (1) 18" x26" or (2) 14"x18" or (2) 12"x20"
SPACING CAPACITY DOOR SIZE	2" 28 Pairs Full Door & 13 Half 3" 19 Pairs Full Door & 09 Half 4" 14 Pairs Full Door & 07 Half 5" 11 Pairs Full Door & 05 Half	1 1/2" 38 Pairs Full Door [2 Pair] 1 1/2" 18 Pairs Half Door [1 Pair]	4" 14 Pairs Full Door & 06 Half ¹ 4" 14 Pairs Full Door & 07 Half ² 5" 11 Pairs Full Door & 05 Half 6" 09 Pairs Full Door & 04 Half	2" 26 Pairs Full Door & 12 Half 4" 13 Pairs Full Door & 06 Half	2 1/4" 22 Pairs Full Door & 11 Half 4 1/2" 11 Pairs Full Door & 05 Half	4 1/2" 11 Pairs Full Door & 05 Half 9" 05 Pairs Full Door & 02 Half

- Upper Half Height Door¹
- Lower Half Height Door²

CONTINUED PRODUCT DEVELOPMENT MAY NECESSITATE SPECIFICATION CHANGES WITHOUT NOTICE.