



Project _____
 AIA # _____ SIS # _____
 Item # _____ Quantity _____ C.S.I. Section 114000



G-SERIES

1-Section Hot Food Holding Cabinets Reach-In Self-Contained Solid Door(s)



STANDARD PRODUCT FEATURES

- High Performance, Heating System Operates At 140° to 180°F
- Reliable Microprocessor Control With LED Temperature Display
- Load-Sure Guard Prevents Problems From Improper Loading
- Durable All Metal Construction
- Stainless Steel Front & Doors, Anodized Aluminum Sides & Interior
- Full or Half Height Door Models with a Variety of Hinging Configurations
- Long Life EZ-Clean Door Gaskets
- Three (3) Plated Shelves Per Section (factory installed)
- 6" High Locking Casters
- Guaranteed for Life Door Handles & Hinges
- 3-Year Parts & Labor Warranty

DEALERS CHOICE G-SERIES

ACCESSORIES & OPTIONS (*field installed)

- ▣ Tray Slides for 18" x 26" Sheet Pans*
- ▣ Tray Slides for 12" x 20" Food Pans*
- ▣ Tray Slides for 14" x 18" Sheet Pans*
- ▣ Additional Shelves*
- ▣ 6" High Legs*

*Please refer to form number TR35872 for precise kit details. See back page for tray slide versatility chart.



This unit is listed to the applicable UL, CSA and NSF Standards by an approved NRTL. Consult the factory or unit's data plate for approval information.

AVAILABLE CONFIGURATIONS

Half-Height Door Models **Hinging**
 G14300 Right
 G14301 Left

Full-Height Door Models **Hinging**
 G14310 Right
 G14311 Left

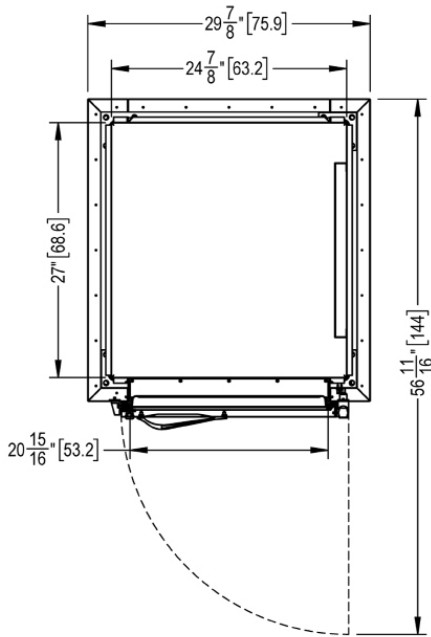
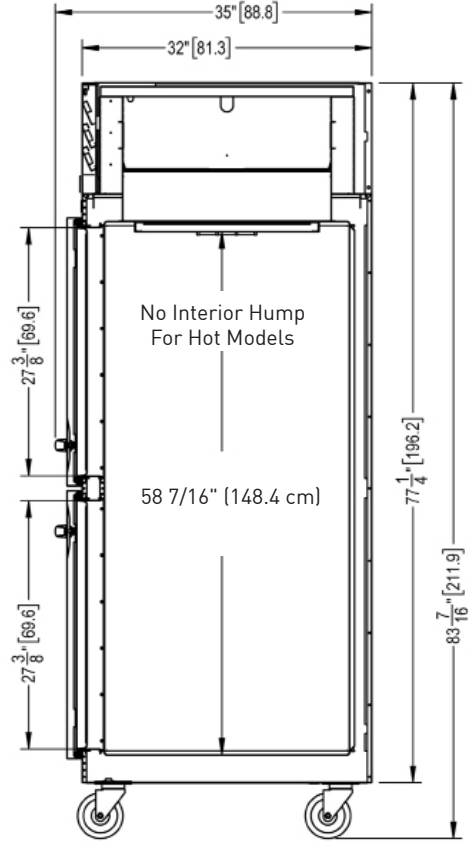
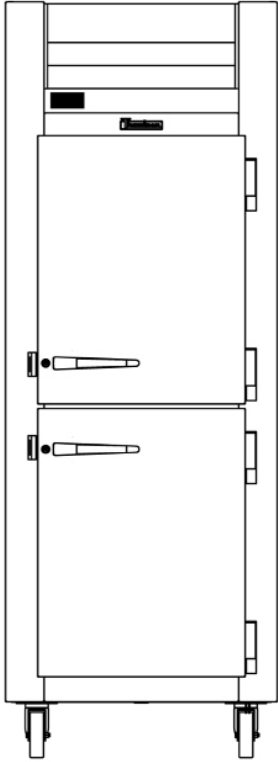
Approved by _____ Date _____ Approved by _____ Date _____



MODELS

Half Height Door Models: G14300, G14301

CLICK
TRANSFER
For KCL CADalog Website

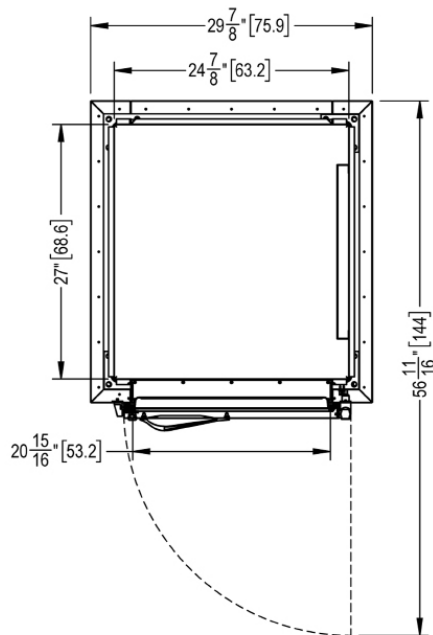
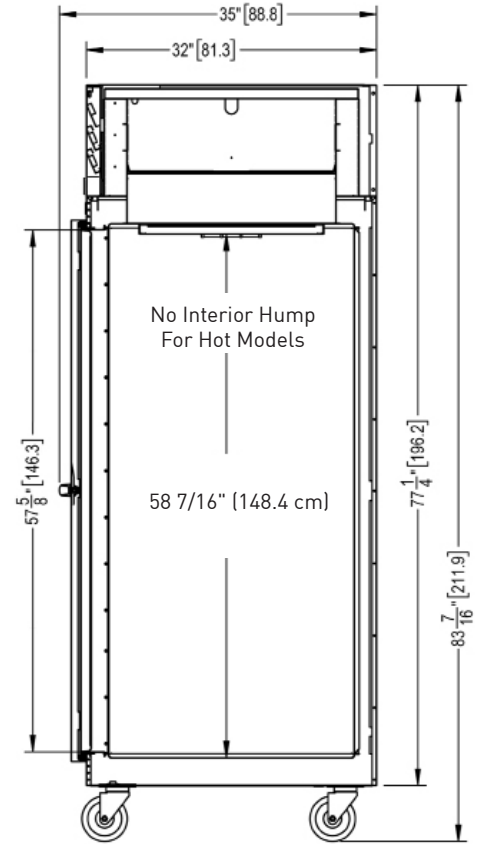
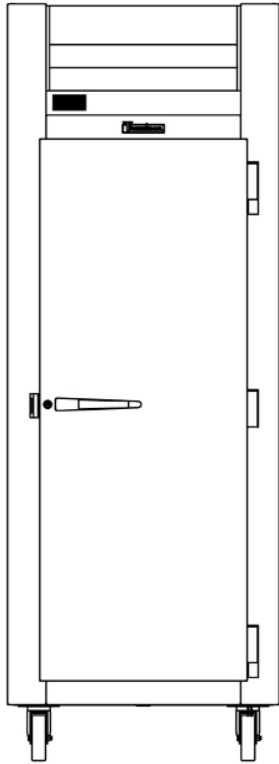


G-SERIES

1-Section Hot Food Holding Cabinets Reach-In Self-Contained Solid Door(s)

MODELS

Full Height Door Models: G14310, G14311





G-SERIES

1-Section Hot Food Holding Cabinets Reach-In Self-Contained Solid Door(s)

MODELS

Half Height Door Models: G14300, G14301

Full Height Door Models: G14310, G14311

| MODELS | G143__ |
|--------------------------------------|---|
| DIMENSIONAL DATA | |
| Net Capacity cu. ft. | 24.0 (680 l) |
| L x D x H - Overall in. ¹ | 29 ⁷ / ₈ (75.9 cm) x 35 (88.8 cm) x 83 ⁷ / ₈ (211.9 cm) |
| Depth - over body in. | 32 (81.3 cm) |
| Depth - door open 90° in. | 57 ⁷ / ₈ (146.3 cm) |
| Clear half-door W x H in. | 21 ¹ / ₈ (53.6 cm) x 27 ¹ / ₂ (69.9 cm) |
| Clear full-door W x H in. | 21 ¹ / ₈ (53.6 cm) x 57 ⁷ / ₈ (146.3 cm) |
| No. Standard Shelves | 3 |
| Shelf Area sq. ft. ² | 18.8 (1.75 sq m) |
| ELECTRICAL DATA | |
| Voltage Plug | 208-230/115/60/1 NEMA L-14-20P (attached) |
| Feed wires with ground | 4 |
| Wattage @ 208V | 1500 |
| Full Load Amperes | 8.3 |
| SHIPPING DATA | |
| L x D x H Crated in. | 48 (122 cm) x 42 (107 cm) x 85 (216 cm) |
| Volume Crated cu. ft. | 99 (2803 l) |
| Uncrated Crated Weight lbs. | 255 (116 kg) 300 (136 kg) |

NOTES:

1. Height shown when mounted on standard 6" high casters.
2. Figure shown reflects the area of standard shelf complement.

EQUIPMENT SPECIFICATIONS

CONSTRUCTION, HARDWARE, INSULATION

Cabinet exterior front, louver assembly and doors are constructed of heavy gauge stainless steel. Cabinet sides (including returns), interior and door liners are constructed of anodized aluminum. The exterior cabinet top, back and bottom are constructed of heavy gauge galvanized steel. A set of four (4) 6" high casters are included. Doors are equipped with a gasket protecting metal door pan, removable plug cylinder locks and guaranteed for life cam-lift, gravity action, self-closing metal, glide hinges with stay open feature at 120 degrees. Hinges include a concealed switch to automatically activate the interior incandescent lighting. Guaranteed for life, work flow door handles are mounted horizontally over recess in door which limits protrusion from door face into aisleways. Gasket profile and durable long life material simplify cleaning and increase overall gasket life. Both the cabinet and door(s) are insulated with an average of 2" thick high density, non-CFC, foamed in place polyurethane.

HEATING SYSTEM

A low watt density, serpentine style, heater is employed for the generation of electric heat. Low velocity air is forced across its large surface area to efficiently move heat radiating away from these through a down-air distribution duct, where it is then evenly distributed throughout the cabinet, assuring the proper holding environment for hot food product, without drying. A vent, located at the top of the cabinet, is included for positive humidity control. Standard operating temperature range 140° to 180°F.

CONTROL

The easy to use water resistant microprocessor control is supplied standard. It includes a 3-Digit LED Display, and a Fahrenheit or Celsius Temperature Scale Display Capability.

INTERIOR ARRANGEMENTS

Standard interior arrangements include three (3) plated shelves, mounted on pilasters, installed at the factory. Recommended load limit per shelf should not exceed 225 lbs.

DOMESTIC WARRANTY

A three year parts and labor warranty is provided standard.

| OPTIONAL ACCESSORY TRAY SLIDE VERSATILITY CHART | | | | | | |
|---|--|--|--|--|--|---|
| TRAY SLIDE DRAWINGS | | | | | | |
| TRAY SLIDE OFFERING | #1 (1) 18" x26" or (2) 14"x18" | #4 (Rod Type) (1) 18" x26" | Universal (1) 18" x26" or (2) 14"x18" or (2) 12"x20" | #1 EZ-Change (1) 18" x26" or (2) 14"x18" | Universal EZ-Change (1) 18" x26" or (2) 14"x18" or (2) 12"x20" | HD Universal EZ-Change (1) 18" x26" or (2) 14"x18" or (2) 12"x20" |
| SPACING CAPACITY DOOR SIZE | 2" 28 Pairs Full Door & 13 Half 3" 19 Pairs Full Door & 09 Half 4" 14 Pairs Full Door & 07 Half 5" 11 Pairs Full Door & 05 Half | 1 1/2" 38 Pairs Full Door (2 Pair) 1 1/2" 18 Pairs Half Door (1 Pair) | 4" 14 Pairs Full Door & 06 Half ¹ 4" 14 Pairs Full Door & 07 Half ² 5" 11 Pairs Full Door & 05 Half 6" 09 Pairs Full Door & 04 Half | 2" 26 Pairs Full Door & 12 Half 4" 13 Pairs Full Door & 06 Half | 2 1/4" 22 Pairs Full Door & 11 Half 4 1/2" 11 Pairs Full Door & 05 Half | 4 1/2" 11 Pairs Full Door & 05 Half 9" 05 Pairs Full Door & 02 Half |

- Upper Half Height Door¹
- Lower Half Height Door²

CONTINUED PRODUCT DEVELOPMENT MAY NECESSITATE SPECIFICATION CHANGES WITHOUT NOTICE.