

INSTRUCTIONS
MODELS
INSTRUCTIONS
EMPLOIS
INSTRUCTIONS

AMTL DISHWASHERS

MODEL
AMTL



701 S. RIDGE AVENUE
TROY, OHIO 45374-0001
937 332-3000

www.hobartcorp.com

FORM 41219 (September 2022)

TABLE OF CONTENTS

GENERAL	4
INSTALLATION	5
Unpacking	5
Installing stainless Steel Adjustable Feet	5
Installation Codes	5
Location	6
Plumbing Connections	7
Water Requirements	7
Water Supply Connection	7
Drain Connection	8
Venting Requirements	9
Rate of Exhaust Flow Calculations	9
Table A: Heat Dissipation	9
Electrical Connections	10
Equipment Connections	11
Vent Fan Control	11
Detergent and Rinse Aid Dispensers (Supplied and Installed by Others)	12
Tubing Installation	12
Detergent Dispenser	12
Rinse Aid Dispenser	13
Detergent and Rinse Aid — Equipment Connections	13
Detergent Dispenser	13
Rinse Aid Dispenser	14
OPERATION	15
Preparation	15
Dishwashing	17
CLEANING	18
Delime Instructions	19
Manual Delime Process	19
Dos and Don'ts for Your New Hobart Warewasher	20
PROGRAMMING	21
Manager Menu	21
Manager Menu Parameters	21
Hobart SmartConnect App	23
Getting Connected	23
MAINTENANCE	25
Wash and Rinse Arms	25
Motor(s)	26
TROUBLESHOOTING	27
Error Code Chart with Possible Solutions	27
SERVICE	32
AMTL Expendable Parts	32

Installation, Operation and Care Of AMTL DISHWASHERS SAVE THESE INSTRUCTIONS

GENERAL

AMTL models can only be configured for straight through operation and will be shipped from the factory in the straight through configuration.

The AMTL dishwasher is designed to operate in hot water sanitizing mode only (designated by the NSF minimum temperature requirements of 150°F Wash and 180°F Rinse. These temperatures can be found on the label located above the data plate on the lower right corner of the front panel).

The serial number can be found on the machine data plate located on the bottom right of the front panel.

The wash pump motor is rated 2 H.P. and has thermal overload protection.

The fill line incorporates an air gap on all models to prevent any reverse flow of water from the dishwasher into the potable water supply. The unit, once turned on, fills the wash tank to the appropriate level and automatically stops filling once the proper level is reached. A pressure transducer reads the water level in the wash tank and deactivates the electric tank heat if the water level becomes too low. When the water returns to the proper level, the heating circuit becomes operational again.

An automatic pumped drain and pumped rinse system are standard. The upper and lower wash zones each have their own independent pumped rinse systems to minimize water and energy usage.

All AMTL dish machines are equipped with a 12.25 kW electric booster water heater. The booster water heater is designed to maintain a minimum final rinse temperature of 180°F provided the incoming water is minimum 110°F.

The AMTL uses a two-stage strainer system. This automatically collects larger food soil in a strainer basket while emptying out the dissolved debris through the drain during each wash cycle.

INSTALLATION

UNPACKING

Immediately after unpacking the dishwasher, check for possible shipping damage. If this machine is found to be damaged, save the packaging material and contact the carrier within 5 days of delivery.

NOTE: Use caution when using a forklift to remove machine from skid. Do NOT use door lift handle to move machine, as it will cause door lift issues.

Prior to installation, test the electrical service to ensure it agrees with the specifications on the machine data plate. The dishwasher data plate is located at the lower right hand corner of the machine.

INSTALLING STAINLESS STEEL ADJUSTABLE FEET

Stainless steel adjustable feet are shipped loose located in the lower wash zone of the dish machine and must be installed in legs prior to installation. **Note:** Machines ship with plastic feet installed in the legs and should be replaced with the stainless steel feet shipped with the machine.

Lift or tilt the machine, unscrew and remove the plastic feet and discard. Install stainless steel feet by threading feet into legs.

INSTALLATION CODES

Installation must be in accordance with state and local codes and the National Electrical Code ANSI/NFPA70 (latest edition). In Canada, the installation code is CSA 22.1 (latest edition).

LOCATION

Before finalizing the location, ensure consideration has been given for the electrical conduit, water supply, drain connection, venting, tabling, chemical feeder system and adequate clearance for opening the door.

The dishwasher must be level before any connections are made. Turn the adjustable feet (Fig. 1) as required to level the machine and adjust to the desired height.

The edge of the dish table that overhangs the AMTL wash tank should be turned down and fitted over the top of the dishwasher tank (Fig. 2). Apply an NSF approved sealant between the overhang of the dish table and the inner wall of the wash tank to prevent leakage (Fig. 2). Fasten the dish tables to the inner wall of the wash tank with non-rusting truss head screws or rivets (Fig. 2).

30" clearance at the front and 24" clearance at the right side by 34" clearance above the finished floor must be provided for service.

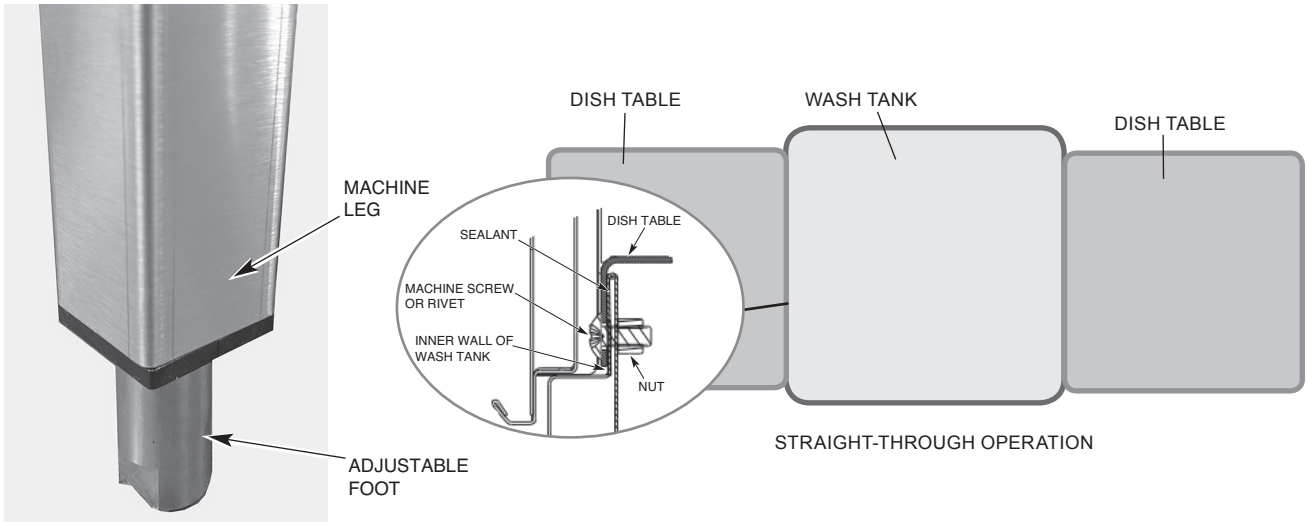


Fig. 1

Fig. 2

PLUMBING CONNECTIONS

⚠ WARNING Plumbing connections must comply with applicable sanitary, safety and plumbing codes.

Water Requirements

Proper water quality can improve ware washing performance by reducing spotting, enhancing effectiveness of labor and extending equipment life. Water conditions vary from one location to another. The recommended proper water treatment for effective and efficient use of this equipment will also vary depending on the local water conditions. Ask your municipal water supplier for details about local water conditions prior to installation.

Recommended water hardness is 3 grains of hardness per gallon or less. Higher hardness may cause excessive formation of lime scale. Water hardness above 3 grains per gallon requires water treatment. Water treatment has been shown to reduce costs associated with machine cleaning, reduce deliming of the dishwasher and reduce detergent usage in the dishwasher. Chlorides must not exceed 50 ppm.

NOTICE High iron levels in the water supply can cause staining and may require an iron filter. High chloride levels in the water supply can cause pitting and may require a chloride removal system. Contact your local water treatment professional for proper water treatment.

Sediment may require a particulate filter. Dissolved solids may require water treatment such as a water softener, reverse osmosis system, etc. Contact your local water treatment professional for proper water treatment.

If an inspection of the dishwasher or booster heater reveals lime build-up after the equipment has been in service, water treatment is recommended. If a water softener is already in place, ensure there is a sufficient level of salt. Contact your Hobart Service office for specific recommendations.

Water Supply Connection

The plumber connecting this machine is responsible for making certain that water lines are THOROUGHLY FLUSHED OUT BEFORE connecting to the dishwasher. This "flush-out" is necessary to remove all foreign matter, such as chips (resulting from cutting or threading of pipes) pipe joint compound from the lines; or, if soldered fittings are used, bits of solder or cuttings from the tubing. Debris, if not removed, may lodge in the dishwasher's plumbing components and render them inoperative. Manual valves or solenoid valves fouled by foreign matter and any expenses resulting from this fouling are NOT the responsibility of the manufacturer and associated repair costs are not covered under warranty. Water supply requirements are as follows:

WATER SUPPLY REQUIREMENTS

Model	Sanitizing Mode	Connection	Water Supply		
			Minimum	Maximum	Recommended
AMTL	Hot Water Sanitizing	Hot Water	110°F (43°C)	N/A	120°F (49°C)

Required flowing water pressure to the dishmachine is 15 - 65 PSIG. If pressures higher than 65 PSIG are present, a pressure regulating valve must be installed in the water line to the dishmachine (by others). If flowing pressure is less than 15 psi, reduced machine performance may result. All AMTL models are equipped with pumped rinse systems; therefore, a water pressure gauge is not required and is not supplied with the machine.

NOTICE The water pressure regulator must have a relief bypass. Failure to use the proper type of pressure regulator may result in damage to the unit.

A manual shutoff valve (not supplied) should be installed upstream of the fill hose to accommodate servicing the machine. It is recommended that a line strainer (not supplied) be installed in the supply line between the manual shutoff valve (not supplied) and the connection point on the machine. All machines ship standard with a 96" long stainless steel braided fill hose with a 3/4" female garden hose fitting. Make plumbing connections with 1/2" minimum copper piping OD (3/4" recommended), with a 3/4" male garden hose fitting (not supplied).

Drain Connection

A drain hose, 5/8" inside diameter and 6.5' long, is provided and shipped loose in the lower wash zone of machine. Connect end with clamp to barbed fitting located at bottom rear of machine (Fig. 3). Drain hose should be securely plumbed into a drain. Use care not to kink the hose. Drain must have a minimum flow capacity of 15 gallons per minute. The drain hose height cannot exceed 40" above finished floor.

If a grease trap is required by code, it should have a minimum flow capacity of 15 gallons per minute.

Pumped drain air gap kit is available using sales accessory code PUMPDRN-AIRGAP or service kit part number 00-562492. Refer to installation instructions included with kit.

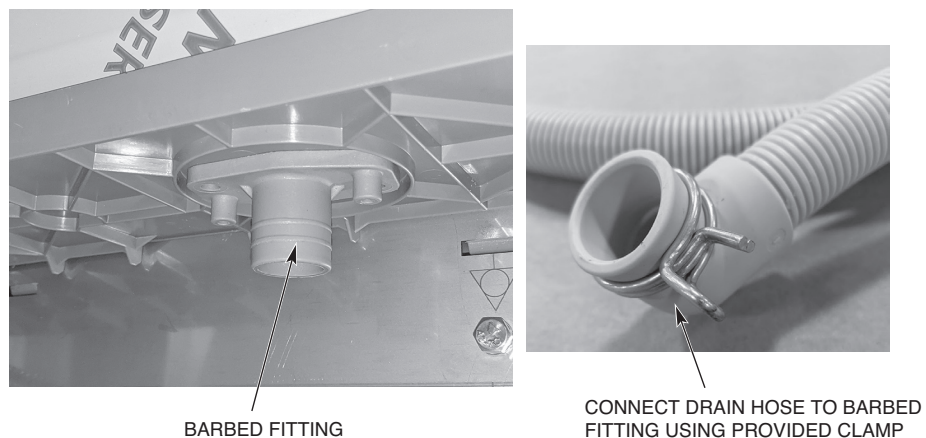


Fig. 3

VENTING REQUIREMENTS

NOTE: Any listed and labeled factory-built commercial exhaust hood tested in accordance with UL Standard 710 by a nationally recognized testing laboratory, must be installed according to the terms of its listing and the manufacturer’s installation instructions.

Rate of Exhaust Flow Calculations

Based on the 2021 International Mechanical Code.

The minimum net airflow for Type II hoods used for dishwashing appliances shall be 100 cfm per linear foot of hood length. The net quantity of exhaust air shall be calculated by subtracting any airflow supplied directly to a hood cavity from the total exhaust flow rate of a hood.

According to 507.3 of the 2021 IMC, Type II hoods are not required where the heat and moisture load is incorporated into the HVAC system design. See Table A for heat dissipation or heat gain to space.

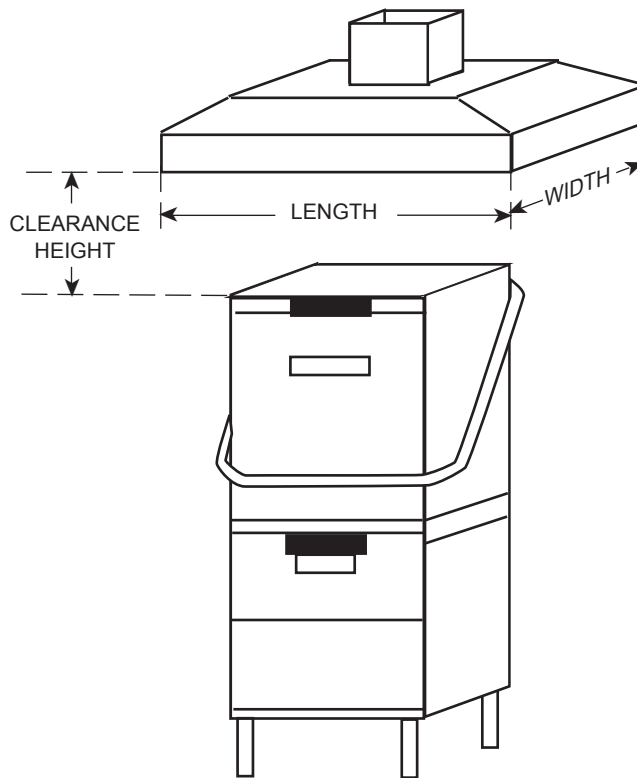


Fig. 4

TABLE A: HEAT DISSIPATION

	Model	Electric Heat	Electric Booster	Latent Heat (BTU/HR)	Sensible Heat (BTU/HR)
Hot Water Sanitizing	AMTL	X	X	9,600	4,900

- Assumptions:
1. Machines operate 70% of each hour while in use.
 2. Values shown are heat that enters room.
 3. 70% of heat output is latent, 30% is sensible.

ELECTRICAL CONNECTIONS

⚠ WARNING Electrical and grounding connections must comply with the applicable portions of the National Electrical Code, NFPA 70 (latest edition) and / or other local electrical codes.

⚠ WARNING Disconnect the electrical power to the machine (both dish washer and booster if applicable) and follow lockout / tagout procedures. Be sure all circuits are disconnected.

Refer to the wiring diagram located behind the lower front trim panel and to the machine data plate for service size requirements when connecting the dishwasher. Also, refer to Electrical Data shown below.

To access the controls area, remove the lower front trim panel by removing the two screws located at the bottom of the panel and lift off. Loosen the screw located at the top right corner of the controls enclosure panel and swing open to the left. The dishwasher electrical service connection can be made at the 3/4" or 1" trade size knock out hole located underneath the machine on the front right side.

ELECTRICAL DATA

Model	Volts / Hz / Ph	Tank Heat	Minimum Circuit Ampacity Maximum Protective Device AMPS		
			TB1 Electric Booster and Controls	TB2 Electric Sump Heat	Single Point Electrical Connection 3 Phase Only Dishwasher and Booster
AMTL	208 - 240 / 60 / 1	Electric	60	50	
	208 - 240 / 60 / 3	Electric	40	25	60

Compiled in accordance with the national electrical code, NFPA 70 (latest edition).

A fused disconnect switch or circuit breaker (customer supplied) must be installed in the electrical service line(s) supplying this dishwasher and should meet the requirements of your local electrical code.

Install stainless steel bracket, shipped loose with machine located in lower wash zone, to support incoming electric supply. Secure bracket to bottom right of machine using the two bolts provided with the bracket (Fig. 5).

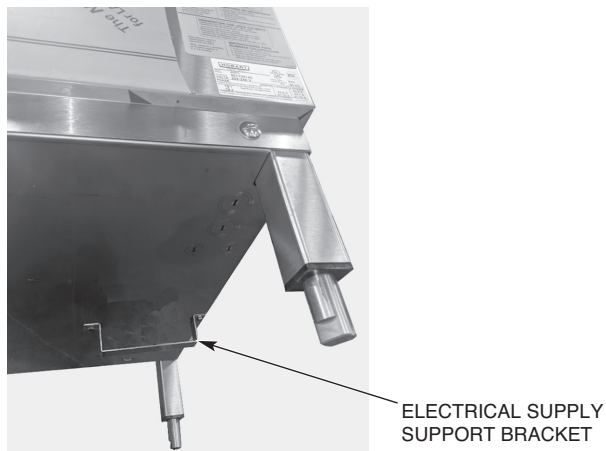


Fig. 5

The AMTL ships standard with a 3-phase voltage supply and a single point electric configuration. The standard single point electric supply connects to terminal block TB1 in the controls area (Fig 6). The machine must be grounded according to electrical code(s); a grounding lug is provided.

To convert the AMTL to a dual point electric configuration or to convert from 3-phase to single phase, refer to F-45882 instructions located behind the lower front trim panel.

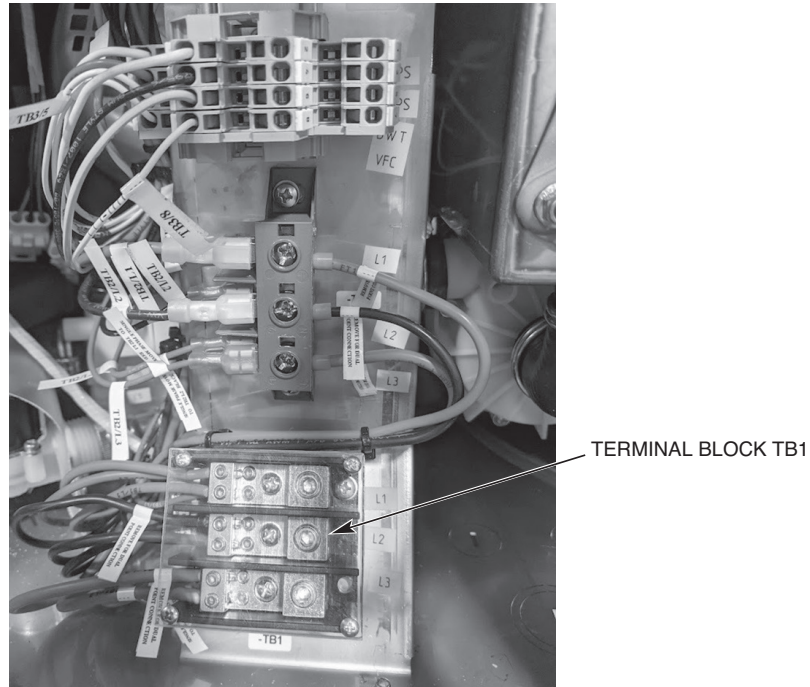


Fig. 6

EQUIPMENT CONNECTIONS

⚠ WARNING Electrical and grounding connections must comply with the applicable portions of the National Electrical Code, NFPA 70 (latest edition) and / or other local electrical codes.

⚠ WARNING Disconnect the electrical power to the machine (both dishwasher and booster if applicable) and follow lockout / tagout procedures. Be sure all circuits are disconnected.

Vent Fan Control

The vent fan control feature is standard on all AMTL models. The vent fan control relay provides switch contacts only and does not provide power to the vent fan motor. The rating for the vent fan control relay contacts at terminals VFC-7 and VFC-8 is 1.5 amps at nameplate supply voltage. When the dishwasher is connected to the vent fan, the vent fan is switched on when the dishwasher is on, and off when the dishwasher is off.

DETERGENT AND RINSE AID DISPENSERS (SUPPLIED AND INSTALLED BY OTHERS)

Tubing Installation

Detergent and rinse aid dispensers not provided by Hobart must have all connections sealed against leakage.

The AMTL dish machines use 0.62 gallons of rinse water per rack for upper and lower level independently. This information is used when setting the detergent and rinse aid pumps.

NOTE: All AMTL models utilize a pumped rinse system; pressure gauge is not required.

Detergent Dispenser

The dishwasher has three 7/8" diameter plugged holes; two on the rear upper tank side walls (one left side, one right side, Fig. 7) and one on the lower right side of the wash tank (Fig. 8). With the tank empty, remove both plugs to install the detergent dispenser.

- The upper tank holes are for installation of the detergent feeder tube (use left or right side location).
- The lower wash tank hole is used for installation of the detergent sensor.

DETERGENT FEEDER
HOLE LOCATION
(LEFT SIDE OPTION)



DETERGENT FEEDER
HOLE LOCATION
(RIGHT SIDE OPTION)

Fig. 7

DETERGENT SENSOR
HOLE LOCATION

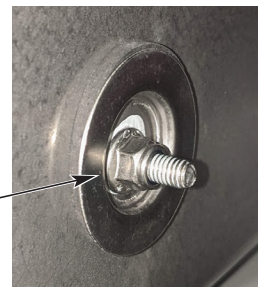


Fig. 8

Rinse Aid Dispenser

Remove the 1/8" NPT plug located on the top of the machine at the right rear corner for installation of the rinse aid dispenser tube (Fig. 9).

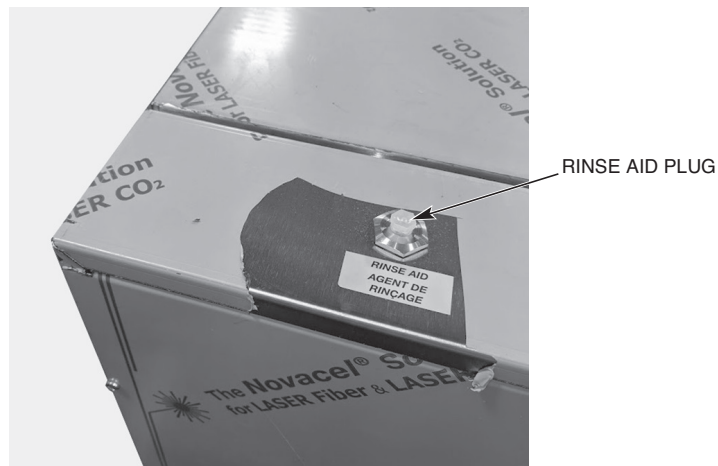


Fig. 9

DETERGENT AND RINSE AID — EQUIPMENT CONNECTIONS

⚠ WARNING Electrical and grounding connections must comply with the applicable portions of the National Electrical Code, NFPA 70 (latest edition) and / or other local electrical codes.

⚠ WARNING Disconnect the electrical power to the machine (both dishwasher and booster if applicable) and follow lockout / tagout procedures. Be sure all circuits are disconnected.

This machine must be operated with an automatic detergent feeder, including a visual means to verify that detergent is delivered or a visual or audible alarm to signal if detergent is not available for delivery to the washing system. Refer to the chemical feeder equipment manual(s).

Detergent Dispenser

Terminals DPS-3 and DPS-4 (Fig. 10) are supplied with controlled machine line voltage. They are ON during the wash cycle and OFF between cycles, when machine is in delime cycle, or when the machine power supply is OFF. Maximum rating for detergent dispenser connected to DPS-3 and DPS-4 is 1.5 amps at line voltage. Check the machine supply voltage and use corresponding feeder transformer voltage. Use UL Listed 600 volt minimum insulated wire for the connections. Do not use bell wire, lamp cord or similar type wire. Splice connections, if required, must be made in the feeder transformer junction box (supplied by others) — not in the main controls enclosure. Use 7/8" diameter hole located underneath the machine on the front-right side for 1/2" trade size conduit fitting. To access, remove the lower front trim panel and the right side panel. Strain relief fittings must be provided for all wiring.

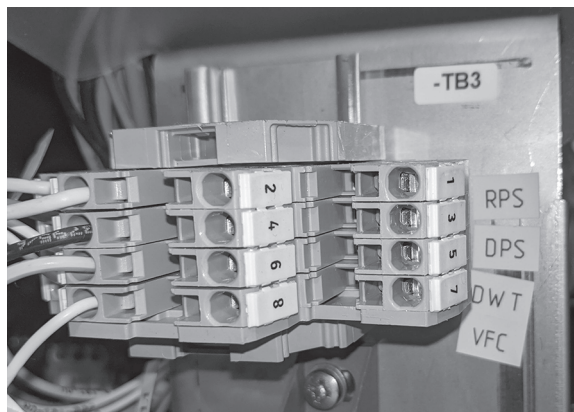


Fig. 10

Rinse Aid Dispenser

Terminals RPS-1 and RPS-2 (Fig. 10) are supplied with controlled machine line voltage. They are ON during the rinse cycle and OFF between cycles, when machine is in delime cycle, or when the machine power supply is OFF. Maximum rating for rinse aid dispenser connected to RPS-1 and RPS-2 is 1.5 amps at line voltage. Check the machine supply voltage and use corresponding feeder transformer voltage. Use UL Listed 600 volt minimum insulated wire for the connections. Do not use bell wire, lamp cord or similar type wire. Splice connections, if required, must be made in the feeder transformer junction box (supplied by others) — not in the main controls enclosure. Use 7/8" diameter hole located underneath the machine on the front-right side for 1/2" trade size conduit fitting. To access, remove the lower front trim panel and the right side panel. Strain relief fittings must be provided for all wiring.

OPERATION

PREPARATION

The standpipe must be in its proper location below the strainer basket (Fig. 11). Place the strainer pan and the strainer basket in their proper positions (Fig. 12).

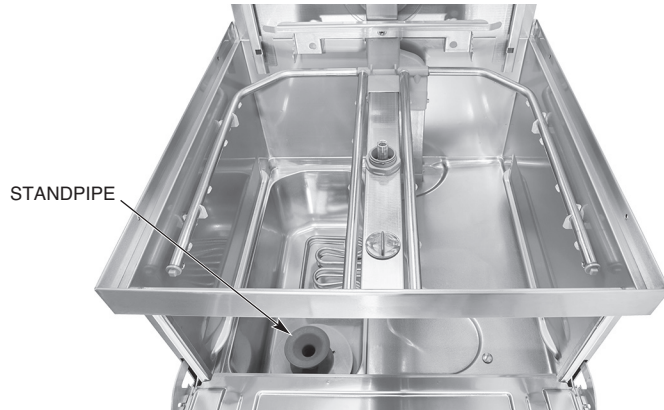


Fig. 11



Fig. 12

NOTE: When installing the strainer basket, ensure the basket is in the 'locked' position (Fig. 13).

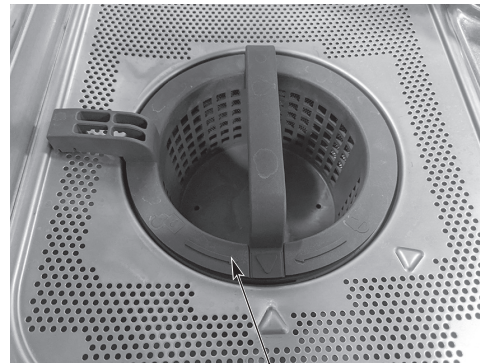
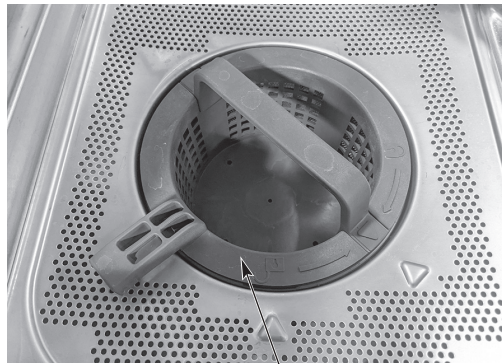


Fig. 13

An automatic detergent dispenser is required. Closely follow supplier's instructions.

Close the door. Press the POWER button to turn the power on (Fig. 14). If the machine's door is closed and no water is in the tank, the fill cycle will begin automatically. If water is detected in the tank, the machine will check the temperature of the water and if the water is cold, the machine will drain the water out prior to filling with fresh water. If the water is hot, the machine will proceed to heat the water to the wash tank temperature set point. During the fill cycle, the word FILLING is displayed along with an image of a bucket filling to show progress (Fig. 15).

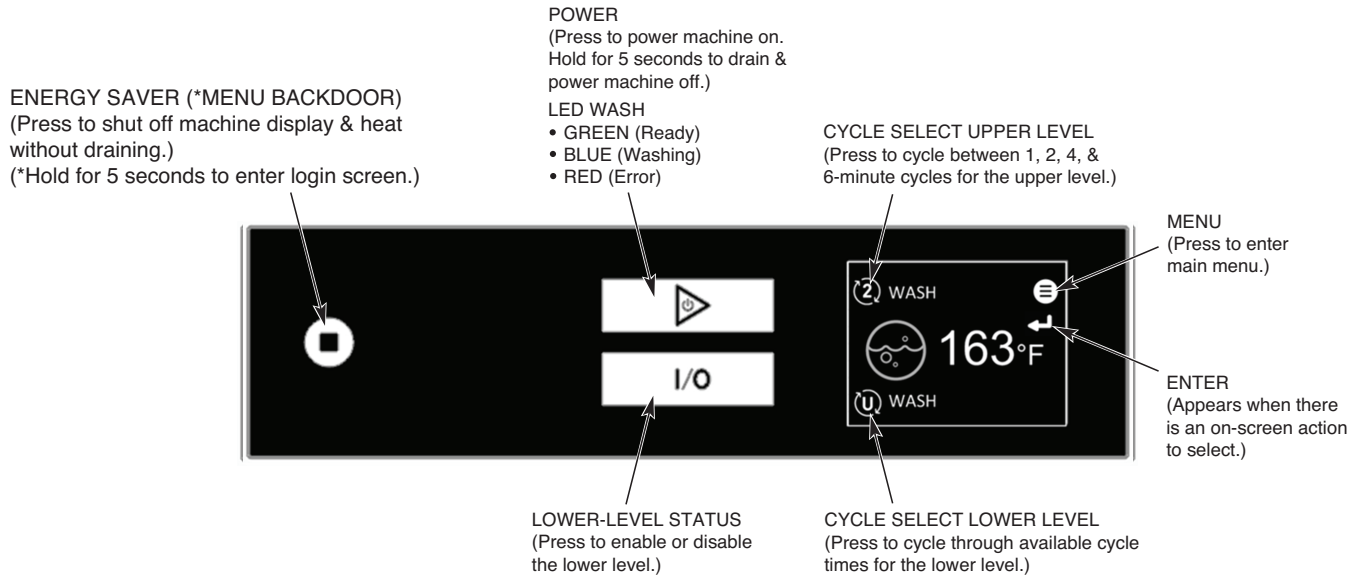


Fig. 14

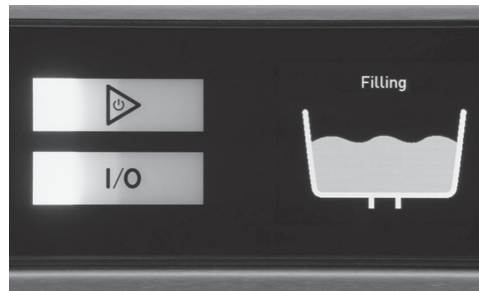


Fig. 15

DISHWASHING

Scrape the dishes to remove large particles of food and debris. Never use steel wool on ware to be loaded into the dishmachine.

Arrange the dishes in a rack. Do not stack dishes one on top of another, as water must have free access to all sides of every dish. Stand plates and dishes up edgewise in a peg-type rack (Fig. 16). Cups, glasses and bowls should be inverted in an open-type or compartment type rack (Fig. 16). Silverware and other small pieces may be scattered loosely over the bottom of a flat bottom rack.

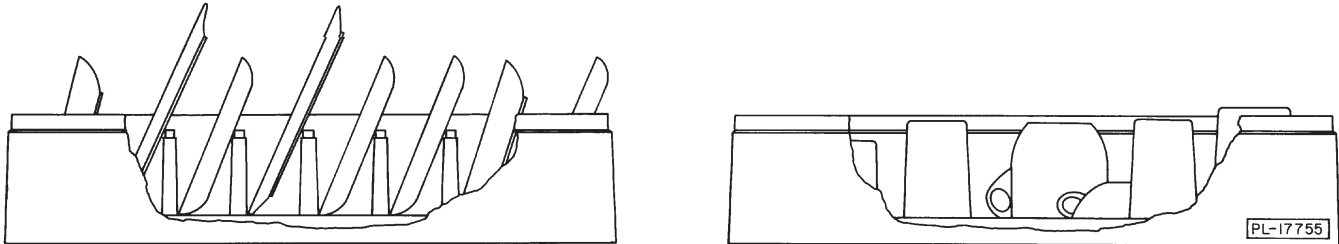


Fig. 16

Do not allow foreign objects to enter the unit, especially metallic contaminants.

Select the wash cycle: 1 for normal serving ware; 2, 4 or 6 for pots and pans.

Each wash cycle is followed by an automatic rinse. When the rinse cycle is complete and the rinse icon turns off, the door can be opened. If only the upper section is being used, the lower section can be disabled by pressing the I/O button. Before the lower wash zone can be disabled, the ware must be removed from the lower wash zone.

For ware in the lower section that may require multiple wash cycles, select the utensil cycle. When set to utensil cycle, the lower wash zone will run three wash cycles followed by a single rinse cycle. The upper section continues to run normal cycles when set to utensil cycle mode; one wash cycle followed by a single rinse cycle.

NOTE: Only the upper section is NSF rated for pots and pans.

After filling a rack, open the door, slide rack into the dishwasher and close the door.

Throughout the wash cycle, the tank water temperature is displayed on the front panel display, along with the word WASH and an icon. During the rinse cycle, the rinse water temperature is displayed, along with the word RINSE and an icon. When the rinse cycle is completed, the readout displays the tank water temperature.

NOTE: The upper and lower wash zones share the same wash and rinse water, so only one temperature readout is displayed, which represents both sections.

When the display reads cycle complete, open the door(s), remove the clean dishes, slide in another rack and close the door(s).

This dish machine is not meant to be opened until a cycle has completed, but if a dish must be added after the wash cycle has started, open the door slowly, until the pump stops. Wait 10 seconds to allow the wash arm to coast down and to avoid water splashing before opening the door fully.

AMTL Operating Temperatures:

Sanitizing Mode	Minimum Wash Temperature	Minimum Rinse Temperature
Hot Water	150°F (66°C)	180°F (82°C)

CLEANING

The machine must be thoroughly cleaned at the end of each working shift or at least daily. Never use steel wool to clean dish machine surfaces. Use only products formulated to be safe on stainless steel.

1. Ensure both upper and lower doors are closed.
2. Press and hold the power button for 5 seconds (until progress bar is complete) to drain and power the machine off.
3. Once the display has powered off, open the upper and lower doors.
4. Remove the upper section rack track, upper and lower wash and rinse arms followed by the divider plate (Fig. 17). Then remove the lower section rack track and wash and rinse arms (Fig. 18). Wash and rinse all removed components thoroughly in a sink with a mild cleanser. Ensure wash and rinse arms are free of obstructions. **NOTE:** Refer to Maintenance section (page 25) for wash and rinse arm removal.

NOTICE Do not bang wash arms or rinse arms to clean.

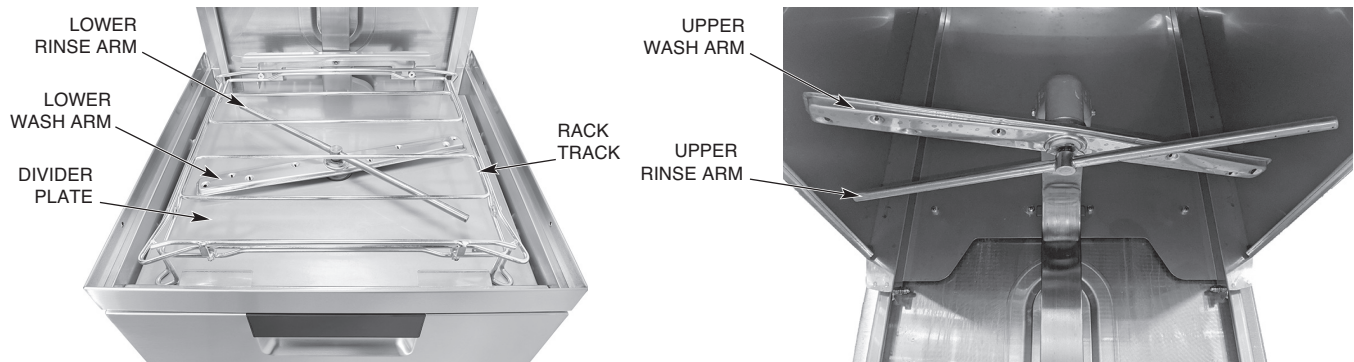


Fig. 17



Fig. 18

5. Thoroughly cleanse and flush the dishwasher interior. Remove remaining soil with a soft cloth or brush and mild cleanser. Rinse again.
6. Remove the strainer basket, strainer pan and standpipe (Fig. 19). Wash and rinse thoroughly in a sink with a mild cleanser.

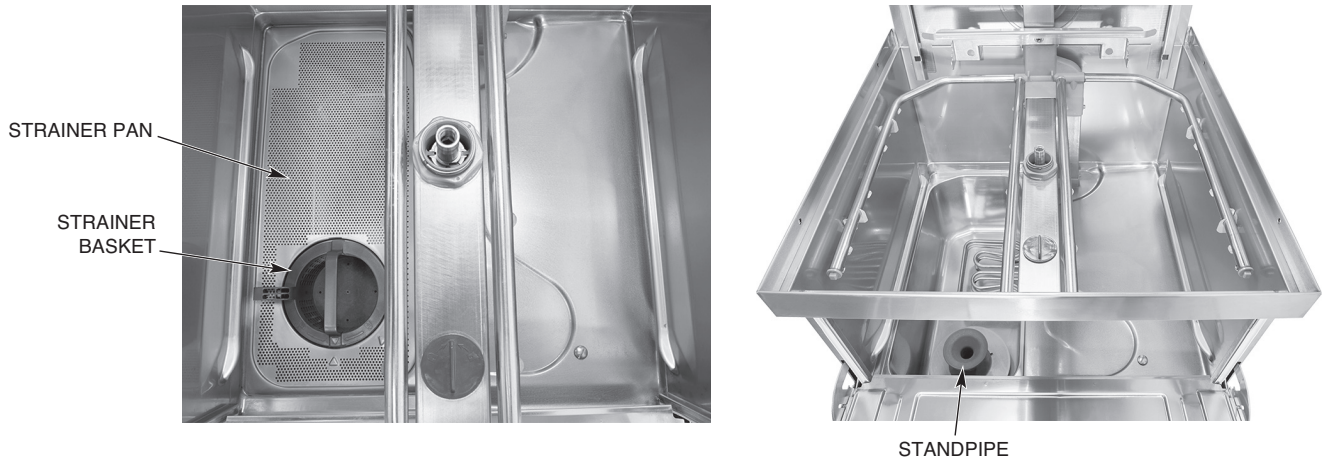


Fig. 19

7. Clean tank bottom. Do not allow food soil to accumulate on the tank bottom or to enter the drain.
8. Replace all removed parts in reverse order. Leave machine doors open to allow interior to air out and dry.

DELIME INSTRUCTIONS

Manual Delime Process

Machine will prompt operator when to delime based water hardness and machine usage. When prompted, display will read 'Delime Required. Start Delime Cycle?' If ready to delime, press either arrow button to highlight 'Yes' and press the Enter button. Press Enter button on 'No' to delime machine later. If 'Yes' is selected, proceed to Step 3 below. Start process at Step 1 if initiating manual delime process without the prompt.

1. Navigate the display menu to select 'Delime Program'.
2. Display will prompt 'Start Delime Cycle?'. Press either arrow button to highlight 'yes' and press the Enter button.
3. Display will prompt 'Please clean strainer'. Open machine door and remove strainer basket and strainer pan. Clean basket and pan in a sink with a mild detergent and rinse.
4. Replace strainer pan and strainer basket in machine and ensure basket is in the locked position.
5. Close machine door and press the Enter button. Machine will drain. Once machine has drained, the display will prompt 'Please add delime'. Open machine door and pour required amount of delime chemical into wash tank according to chemical suppliers' recommendation for 7.9-gallon wash tank and close door.

6. Once door is closed, press the Enter button. Tank will fill with fresh water. Once filled, the unit will begin a 10-minute wash cycle. Note: Enter button will not appear on display until door is opened and closed.
7. After 10-minute wash cycle, machine will drain and re-fill with fresh water. Once filled, the unit will begin a 1-minute wash cycle to flush any remaining delime chemical residue.
8. After 1-minute wash cycle, the machine will drain and power down.

NOTE: During delime cycle, 'DELIME' will appear on the display when not being prompted for user interface.

Dos and don'ts for your new Hobart warewasher

DO assure proper water hardness (3 grains or less per gallon is recommended).

DO pre-scrub dishes thoroughly.

DO use only detergents recommended by your chemical professional.

DO at the end of the day, thoroughly cleanse the machine, rinse and dry (leave door open).

DO closely follow your chemical professional's prescribed deliming schedule.

DO use only products formulated to be safe on stainless steel.

DO NOT use detergents formulated for residential dishwashers.

DO NOT allow food soil to accumulate on the tank bottom.

DO NOT exceed chemical manufacturer's recommended concentrations for detergent, rinse aid or lime scale remover.

DO NOT use steel wool to clean ware or warewasher surfaces.

DO NOT allow foreign objects to enter the unit, especially metallic contaminants such as paper clips, retainers, etc.

NOTE: Failure to follow use, care and maintenance instructions may void your Hobart warewasher warranty.

PROGRAMMING

MANAGER MENU

The AMTL dish machines allow customization options for machine operation. To activate or change these features, enter the Manager Menu using the following procedure.

1. Power on dishwasher. Display shows ready screen when fill cycle has completed.
2. Press Menu button.
3. With 'Manager Menu' highlighted, press the Enter button. The 'Enter PIN' screen will be displayed.
4. The default manager code is 1001. Use the arrow buttons to change the value and then press the Enter button to select the value and toggle to the next digit until the code is entered.
5. Use the Up and Down arrows to toggle thru the Manager Menu.
 - a. Once the desired selection is outlined, press the Enter button.
 - b. For selections that are editable, use the Up and Down arrows to change the value.
 - c. Once the required value is displayed, press the Enter button to save the selection.
6. To exit the programming, use the Up and Down arrows to scroll thru the parameters until 'Back' is outlined and press the Enter button. Repeat this procedure until the 'Ready' screen is displayed.

Manager Menu Parameters

Parameter Name	Description	Possible Values	Default Value
MACHINE SETTINGS			
Language	Sets the language for machine display.	English, French, Spanish	English
Date	Sets the current day, month, year.		
Time	Selects the current time (hours & minutes). Time can also be updated to 24h format.		
Temperature Units	Sets the temperature displays to Fahrenheit or Celsius.	Fahrenheit or Celsius	Fahrenheit
DISPLAY SETTINGS			
Brightness	Increases or decreases the brightness of the machine display screen.		

Parameter Name	Description	Possible Values	Default Value
MACHINE ALARM			
Machine Alarm	Enables or disables an end of cycle audible alarm.	Enable or Disable	Disable
WATER HARDNESS			
Set Water Hardness	Sets the water supply water hardness.	0 gr/gal - 250 gr/gal	250 gr/gal
MACHINE CYCLE LOG			
Show Cycle Information	Displays date and time of previous cycles.		
AUTOMATIC START			
Enable/Disable	Allows the automatic start feature to be disabled or enabled.	Enable or Disable	Disable
Settings	Sets the automatic start day of week and time. If feature is enabled, machine will automatically power on and fill at day and time set.		
WiFi			
Enable/Disable	Enables or disables WiFi connectivity.	Enable or Disable	Disable
Status	Displays the current WiFi status of the machine.		
Connection Assistant	<ul style="list-style-type: none"> • Search Network • Adding Network 		
Access Code	Provides access code necessary to pair the machine with the SmartConnect app.		
Connection Test	Tests if machine has connection to WiFi.		
Manual Installation	<ul style="list-style-type: none"> • Search Network • Adding Network 		
Mobile Connection Assistant	Pairs machine to WiFi through SmartConnect app.	No Yes	No
DRAIN WATER TEMPERING			
Enable/Disable	Enables drain water tempering valve. Note: Requires installation of an optional drain water tempering kit.	Enable or Disable	Disable

HOBART SMARTCONNECT APP

Thanks to built-in WiFi, you can connect your AMTL commercial dishwasher to our easy-to-use smart phone app. With the free Hobart SmartConnect app, you can create better procedures and enhance performance in the dishroom by monitoring sanitization and analyzing usage, consumption and costs. **NOTE:** For 240-volt, 380-volt and 440-volt supplies, contact Hobart Service to adjust the power value in the service settings for accurate energy consumption values.

Getting Connected

Registering an Account

1. Open the app and tap on '**Register**'.
2. Enter your email and tap '**Send Verification Code**'. Then enter the code you receive to your email.
3. Provide the remaining information, including a password.
4. Tap '**Create**'.
5. Read and agree to the End User License Agreement and Privacy Policy. Tap '**Confirm**' when you are done.

You can now use the app to connect to WiFi and pair your machine.

Connecting the AMTL to WiFi from the SmartConnect App

1. Tap on the 'Hamburger Menu Icon', then tap on the '**WiFi**' button.
2. Tap on '**Connect**' for Hobart.
3. Follow the guide in the app to prepare the machine for connection.
4. Tap on '**Confirm Instructions**' and tap '**Yes**' if the machine is ready for connection.
5. The machine will generate a code; enter this into the app and it will connect with the machine.
6. A list of available networks will be displayed. Select the network you want to connect with and enter the network password if necessary.
7. When the WiFi connection is successful, the machine will indicate success and display an access code to pair with the app.
8. From the main screen of the app, tap on the 'Hamburger Menu Icon', then tap on the '+' button and enter the access code to pair.

Connecting the AMTL to WiFi from the Machine

1. Tap on the 'Hamburger Menu Icon', select '**Manager Menu**' and enter your pin.
2. Scroll and tap the **Enter** button to select '**WiFi**'.
3. Scroll and select '**Connection Assistant**'.
4. Scroll and select '**Search Network**'.

5. Scroll and select the available network you wish to connect to.
6. Enter the password for your network, then tap **'OK'**.
7. The machine will connect to your network, transfer data to the SmartConnect Cloud and display a connection code for the app.

If your machine won't connect to the WiFi, go to our FAQs at www.itwfoodequipment.com/smartconnect365/help to troubleshoot your connection.

To Pair and Add your AMTL to the App

Before pairing, make sure your machine is connected to WiFi using the previous steps. To pair your Hobart AMTL to the SmartConnect App:

From the Dishmachine

1. Tap the menu icon to enter the manager menu on your dishmachine.
2. Select **'Manager Menu'** and enter your pin.
3. Scroll and select **'WiFi'**.
4. Scroll and select **'Access Code'**.
5. An activation code will be generated and displayed. This code is valid for 48 hours.

From the App

1. Tap on the '+' button at the bottom of the machine list.
2. Enter the activation code found in the manager menu of the machine's touchscreen, then tap **'Submit'**.
3. Select your service provider from the drop-down menu.
4. Tap **'Finish'**.

Your machine will now appear in the machine list on the home screen of the app.

For more information about SmartConnect, including usage instructions, trouble-shooting for your WiFi connection and other general questions, visit the SmartConnect Help and FAQ guide at www.itwfoodequipment.com/smartconnect365/help.

MAINTENANCE

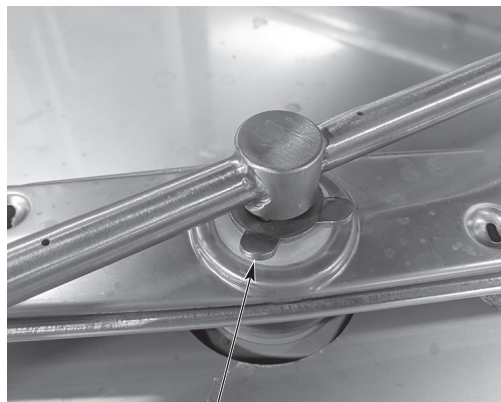
⚠ WARNING Disconnect the electrical power to the machine (both dishwasher and booster if applicable) and follow lockout / tagout procedures. Be sure all circuits are disconnected.

WASH AND RINSE ARMS

Upper and lower wash and rinse arms on the upper section and lower wash and rinse arms on the lower section (page 18, Figs. 17, 18) should turn freely and continue turning for a few seconds after being rotated by hand. Remove any obstructions causing improper operation.

If either the strainer pan or the strainer basket is not properly in place, obstructions (such as food particles) may clog the wash arm nozzles. The wash arms are easily removed for cleaning.

To remove the upper section lower wash arm, unscrew the hand knob (Fig. 20) and lift the rinse arm off. The wash arm can be lifted off once the rinse arm is removed.



HAND KNOB

Fig. 20

The upper section upper wash and rinse arms are removed by unscrewing the hand knob (Fig. 21) and lowering both arms together. Be careful not to drop the arms.



HAND KNOB

Fig. 21

The lower section rinse arm can be removed by pressing in on the blue tabs of the rinse arm and pulling up (Fig. 22). The wash arm will lift off once the rinse arm is removed.



Fig. 22

MOTOR(S)

The wash pump motor, rinse pump motors, and drain pump motor are equipped with permanently lubricated bearings and require no lubrication maintenance.

TROUBLESHOOTING

ERROR CODE CHART WITH POSSIBLE SOLUTIONS

Error No.	Text On Screen	Error Description	Troubleshooting
001	Booster temperature error.	The booster temperature is 239°F / 115°C or greater.	Press and hold the power button for 5 seconds to clear the error. The machine will drain and power off. If the error persists, contact Hobart Service.
002	Booster temperature error.	The booster temperature is 32°F / 0°C or lower.	Press and hold the power button for 5 seconds to clear the error. The machine will drain and power off. If the error persists, contact Hobart Service.
003	Booster temperature not reached during fill cycle.	During the fill cycle, the booster temperature did not meet the setpoint within the predetermined time.	Press the ENTER button to clear the error. If the error persists, contact Hobart Service.
004	Booster temperature not reached during wash cycle.	During the wash cycle, the booster temperature did not meet the setpoint within the predetermined time.	Press the ENTER button to clear the error. If the error persists, contact Hobart Service.
006	Wash temperature error.	The wash tank temperature is 239°F / 115°C or greater.	Press and hold the power button for 5 seconds to clear the error. The machine will drain and power off. If the error persists, contact Hobart Service.
007	Wash temperature error.	The wash tank temperature is 32°F / 0°C or lower.	Press and hold the power button for 5 seconds to clear the error. The machine will drain and power off. If the error persists, contact Hobart Service.
008	Wash tank temperature not reached during fill cycle.	During the fill cycle, the wash tank temperature did not meet the setpoint within the predetermined time.	Press the ENTER button to clear the error. If the error persists, contact Hobart Service.
009	Wash tank temperature not reached during wash cycle.	During the wash cycle, the wash tank temperature did not meet the setpoint within the predetermined time.	Press the ENTER button to clear the error. If the error persists, contact Hobart Service.
014	Booster pressure sensor failure.	The maximum booster water level has been exceeded. The machine will not run.	Press and hold the power button for 5 seconds to clear the error. The machine will drain and power off. If the error persists, contact Hobart Service.
015	Booster pressure sensor failure.	The minimum booster water level has not been reached. The machine will not run.	Press and hold the power button for 5 seconds to clear the error. The machine will drain and power off. If the error persists, contact Hobart Service.
016	Wash tank pressure sensor failure.	The maximum wash tank water level has been exceeded. The machine will not run.	Press and hold the power button for 5 seconds to clear the error. The machine will drain and power off. If the error persists, contact Hobart Service.

Error No.	Text On Screen	Error Description	Troubleshooting
017	Wash tank pressure sensor failure.	The minimum wash tank water level has not been reached. The machine will not run.	Press and hold the power button for 5 seconds to clear the error. The machine will drain and power off. If the error persists, contact Hobart Service.
018	Wash tank water level is too high.	Wash tank water level is above the upper limit.	Press the ENTER button if displayed to clear the error. If the ENTER button does not display, press and hold the power button for 5 seconds. Machine will drain and power off. If the error persists, contact Hobart Service.
019	Tank strainer blocked. Remove strainer, clean and put back in place.	Tank strainer pan is blocked.	Remove, clean and replace strainer pan. Press the ENTER button to clear the error. The machine will drain and power down if the water level is low. If the water level has returned to normal, the machine will power off, but not drain. Power machine on to continue operation.
020	Wash tank pressure sensor error. Drain and restart machine.	The wash tank water level did not increase by the anticipated amount after being filled by the rinse cycle.	Press the ENTER button to clear the error. The machine will drain and clear the error. Ensure tank is clean. If the error persists, contact Hobart Service.
021	Drain hose is clogged. Clean drain hose and drain machine again.	Significant water remains in wash tank after drain cycle.	Ensure power to machine is off and wash water has cooled. Verify standpipe and bottom of wash tank are free of debris. Clean the drain hose and drain the machine. Ensure drain hose is not kinked and installed properly. If error remains on screen, press and hold the power button for 5 seconds to clear the error. Machine will drain and power down.
022	Drain hose is clogged. Clean drain hose.	During wash cycle, water level not maintained at normal level.	Ensure power to machine is off and wash water has cooled. Verify standpipe and bottom of wash tank are free of debris. Clean the drain hose and drain the machine. Ensure drain hose is not kinked and installed properly. If error remains on screen, press the ENTER button to clear the error.
029	Program interrupted. Close door.	Door is opened during machine operation.	Close the door and ensure door is fully seated. The current operation resumes. If the error persists, contact Hobart Service.
032	Fill error, inspect incoming water line.	The booster water level did not reach the proper level within the set amount of time.	Ensure incoming water supply is turned on and that fill hose is not kinked. Verify water pressure is 15 - 65 psi. Press the ENTER button to clear the error. If the error persists, contact Hobart Service.

Error No.	Text On Screen	Error Description	Troubleshooting
033	Fill valve error.	The fill valve has been active for more than the maximum allowed fill time.	Ensure incoming water supply is turned on and that fill hose is not kinked. Verify water pressure is 15 - 65 psi. Press the ENTER button to clear the error. If the error persists, turn water supply off and contact Hobart Service.
035	Ensure tank strainer is locked in place.	The internal scrap basket is not inserted, or it is not in the locked position.	Ensure scrap basket is properly installed and in the locked position. The arrow on the scrap basket should line up with the arrow on the strainer pan. If installed properly, the error will clear automatically. (Refer to page 15, Fig. 13.)
038	Incoming power to machine is too high. Machine has powered down.	The incoming voltage is higher than the maximum required machine voltage.	The incoming voltage must be at or below the required machine voltage (see machine data plate). Turn circuit breaker supply off and ensure unit is connected with proper voltage supply. Press Enter to clear error.
039	Fill cycle interrupted. Close door.	Door is opened during the fill cycle.	Close the door and ensure door is fully seated. The fill cycle resumes. If the error persists, contact Hobart Service.
049	Communication between the controls has been interrupted.	Interruption of communication between control board and touchscreen display.	Communication between the controls should be automatically restored. If the problem persists, contact Hobart Service.
052	Drain hose is clogged.	Wash tank water level is above the upper limit.	Ensure power to machine is off and wash water has cooled. Verify standpipe and bottom of wash tank are free of debris. Clean the drain hose and drain the machine. Ensure drain hose is not kinked and installed properly. If error remains on screen, press and hold the power button for 5 seconds to clear the error. Machine will drain and power down.
057	Wash tank is filling. Cycle will begin when water is replenished.	Wash tank water level is low at start of wash cycle.	Machine automatically fills while error is displayed. Once proper water level is reached, wash cycle will begin.
059	Cloud connection not available.	WiFi is connected, data cannot be sent to the cloud.	Tap on HELP in Smart Connect app and refer to the troubleshooting in the FAQ's for guidance.
070	Minimum wash temperature not reached.	The wash temperature did not reach the minimum set point requirement.	Press the ENTER button to clear the error. If the error persists, contact Hobart Service.
071	Minimum rinse temperature not reached.	The rinse temperature did not reach the minimum set point requirement.	Press the ENTER button to clear the error. If the error persists, contact Hobart Service.

Error No.	Text On Screen	Error Description	Troubleshooting
080	Delime required. Run delime cycle.	If delime lockout is enabled, machine will lock out due to delime reminder being ignored 10 times.	Press the ENTER button and run a delime cycle to reset the delime reminder.
081	Final rinse temperature too high.	Final rinse temperature is 239°F / 115°C or greater.	Press and hold the power button for 5 seconds to clear the error. The machine will drain and power off. If the error persists, contact Hobart Service.
082	Final rinse temperature too low.	Final rinse temperature is 32°F / 0°C or lower.	Press and hold the power button for 5 seconds to clear the error. The machine will drain and power off. If the error persists, contact Hobart Service.
083	Minimum final rinse temperature not reached.	The final rinse temperature did not reach minimum final rinse temperature after three consecutive cycles.	Press the ENTER button to clear the error. If the error persists, contact Hobart Service.
084	Minimum final rinse temperature not reached. Machine locked.	If final rinse lockout is enabled and the final rinse temperature did not reach minimum final rinse temperature after three consecutive cycles, the machine will lock out.	Press and hold the power button for 5 seconds to clear the error. The machine will drain and power off. If the error persists, contact Hobart Service.
085	Wash tank overtemp tripped.	Wash tank overtemp has been tripped.	Error cannot be cleared until overtemp has been reset. Contact Hobart Service.
086	Booster overtemp tripped.	Booster overtemp has been tripped.	Error cannot be cleared until overtemp has been reset. Contact Hobart Service.
087	Minimum final rinse temperature not reached after repeating cycle.	The final rinse temperature is less than the set point.	Press and hold the power button for 5 seconds to clear the error. The machine will drain and power off. If the error persists, contact Hobart Service.
088	Wash tank heater contactor error. Contact Service.	Wash tank heater remains on while ignoring software command to turn off.	Machine is running a fill and drain cycle to protect the heater. This error is not user serviceable. Turn circuit breaker supply off and contact Hobart Service.
089	Booster tank heater contactor error. Contact Service.	Booster tank heater remains on while ignoring software command to turn off.	Machine is running a fill and drain cycle to protect the heater. This error is not user serviceable. Turn circuit breaker supply off and contact Hobart Service.

SYMPTOM	POSSIBLE CAUSE
No machine operation.	<ol style="list-style-type: none"> 1. Machine off, turn machine on. 2. Blown fuse or tripped circuit breaker at power supply.
Dishes not clean.	<ol style="list-style-type: none"> 1. Loss of water pressure due to pump obstruction. ⚠ WARNING Disconnect electrical power supply (both dishwasher and booster if applicable) and drain tank. Remove strainer and standpipe and check pump & drain intake for obstruction. 2. Incorrect water temperature. Contact Hobart Service for adjustment or repair. 3. Excessive mineral deposits throughout wash and rinse system. Deliming may be necessary, refer to page 19. 4. Check wash and rinse arms to ensure there are no obstructions and ensure they rotate properly. 5. Strainers clogged causing inadequate water supply to pump; clean machine according to Cleaning, page 18. 6. Ensure chemical dispenser is operating properly. 7. Excessive soil; scrap dishes before cycle. 8. Improper rack loading; refer to Preparation and Dishwashing, pages 15, 17.
Spotting silverware, glasses and dishes.	<ol style="list-style-type: none"> 1. Improperly loaded racks. 2. Incorrect rinse water temperature. 3. Loss of water pressure due to pump obstruction. ⚠ WARNING Disconnect electrical power supply (both dishwasher and booster if applicable) and drain tank. Check for any obstruction at the pump intake. 4. Excessively hard water. 5. Incorrect detergent for water type. 6. Incorrect rinse additive for water type. 7. Incorrect concentration of detergent and/or rinse additive. 8. Excessive soil; scrap dishes before cycle. Ensure wash tank is drained and cleaned as required.
Inadequate rinse or rinse water temperature too low.	<ol style="list-style-type: none"> 1. Excessive mineral deposits throughout wash and rinse system. Deliming may be necessary, refer to page 19. 2. Incoming water temperature to booster below 110°F. Machine will automatically extend wash time until booster heats up. 3. Ensure rinse arms rotate freely.
Leaking valve.	<ol style="list-style-type: none"> 1. If hose connection at valve is leaking, check hose gasket to ensure it is seated properly and not worn or cut. 2. If solenoid valve is malfunctioning (leaking, not opening or not closing), contact Hobart Service.
Low / no wash tank heat.	<ol style="list-style-type: none"> 1. Ensure sufficient water level in tank. 2. Ensure heating element is clean and free of excessive lime scale.
No or slow fill.	<p>Note: Fill time could be as high as 25 minutes.</p> <ol style="list-style-type: none"> 1. Water supply may be off; ensure hot water supply valve is open. 2. Dirty strainer at fill hose connection causing reduced water flow. Turn off hot water supply, remove fill hose and clean screen. Reassemble.

SERVICE

AMTL EXPENDABLE PARTS

The below AMTL dish machine parts are expendable by nature and may not be covered by Hobart Product Warranty. To view the Hobart Product Warranty, refer to <https://www.hobartservice.com/service-plans/hobart-product-warranty>.

AMTL EXPENDABLE PARTS LIST

Part Number	Description	Qty.
04-016320-00001	Door Seal	1
01-539624-00001	Guide - Wash Arm	2
00-886610	Kit, Wash Arm Plug	1
00-775933-00003	Retaining Ring	2
00-315191	Peg Rack	AR
00-315193	Combination Rack	AR

Contact your local Hobart-authorized service office for any repairs or adjustments needed on this equipment. Long-term service contracts are available on this and other Hobart products. Call 1-888-4HOBART for Hobart Service 24 hours a day.

INSTRUCTIONS
MODELS
INSTRUCTIONS
EMPLOIS
INSTRUCTIONS
EMPLOIS

LAVE-VAISSELLE AMTL

MODÈLE

AMTL



701 S. RIDGE AVENUE
TROY, OHIO 45374-0001

937 332-3000

www.hobartcorp.com

FORMULAIRE 41219 (Septembre 2022)

TABLE DES MATIÈRES

GÉNÉRAL	4
INSTALLATION	5
Déballage	5
Installation des pieds réglables en acier inoxydable	5
Codes d'installation	5
Emplacement	6
Raccords de plomberie	7
Besoins en eau	7
Connexion de l'alimentation en eau	7
Raccord de vidange	8
Exigences de ventilation	9
Calculs du taux de circulation d'air	9
Tableau A : Dissipation thermique	9
Raccords électriques	10
Connexions de l'équipement	11
Commande du ventilateur du conduit d'aération	11
Distributeurs de détergent et de produit de rinçage (fournis et installés par des tiers)	12
Installation des tubes	12
Distributeur de détergent	12
Distributeur de produit de rinçage	13
Distributeurs de détergent et de produit de rinçage – connexions de l'équipement	13
Distributeur de détergent	13
Distributeur de produit de rinçage	14
UTILISATION	15
Préparation	15
Lave-vaisselle	17
NETTOYAGE	18
Instructions de détartrage	19
Processus de détartrage manuel	19
Choses à faire et à ne pas faire en ce qui concerne votre nouveau lave-vaisselle Hobart	20
PROGRAMMATION	21
Menu de gestion	21
Paramètres du menu de gestion	21
Application Hobart SmartConnect	23
Se connecter	23
ENTRETIEN	25
Bras de lavage et de rinçage	25
Moteur(s)	26
PROBLÈMES ET SOLUTIONS	27
Tableau des codes d'erreur avec solutions possibles	27
SERVICE	33
Pièces consommables de l'AMTL	33

Installation, fonctionnement et entretien

LAVE-VAISSELLE AMTL

CONSERVEZ CES INSTRUCTIONS

GÉNÉRAL

Les modèles AMTL ne peuvent être configurés que pour un fonctionnement en position linéaire et seront expédiés de l'usine pour un fonctionnement en position linéaire.

Le lave-vaisselle AMTL est conçu pour fonctionner en mode de désinfection à l'eau chaude seulement (désigné par les exigences de température minimale NSF de 65,6 C (150 °F) pour le lavage et 82,2 °C (180 °F) pour le rinçage. Ces températures se trouvent sur l'étiquette située sur la plaque signalétique de la partie inférieure droite du panneau avant).

Le numéro de série se trouve sur la plaque signalétique de la machine située en bas du coin droit du panneau avant.

Le moteur de la pompe de lavage a une puissance nominale de 2 HP et est doté d'une protection contre les surcharges thermiques.

La conduite de remplissage comporte un espace d'air sur tous les modèles afin d'empêcher tout écoulement inverse de l'eau du lave-vaisselle vers l'alimentation en eau potable. L'appareil, une fois mis en marche, remplit le réservoir de lavage jusqu'au niveau approprié et arrête automatiquement le remplissage une fois le niveau atteint. Un transducteur de pression lit le niveau d'eau dans le réservoir de lavage et désactive le réservoir électrique de chaleur si le niveau d'eau devient trop bas. Lorsque l'eau revient au niveau approprié, le circuit de chauffage redevient opérationnel.

Un système de vidange automatique par pompage et de rinçage par pompage est standard sur tous les modèles. Les zones de lavage supérieure et inférieure disposent chacune de leur propre système de rinçage à pompe indépendant afin de minimiser la consommation d'eau et d'énergie.

Tous les modèles AMTL sont équipés d'un chauffe-eau électrique avec surchauffeur de 12,25 kW. Le chauffe-eau avec surchauffeur est conçu pour maintenir une température minimale de rinçage final de 82,2 °C (180 °F) à condition que l'eau entrante soit au moins à 43,3 °C (110 °F).

L'AMTL utilise un système de crépine à deux étapes. Ce système recueille automatiquement les plus grosses saletés alimentaires dans un panier filtrant tout en évacuant les débris dissous par le drain à chaque cycle de lavage.

INSTALLATION

DÉBALLAGE

Aussitôt le lave-vaisselle déballé, vérifiez qu'il n'a subi aucun dommage lors du transport. Dans le cas contraire, conservez le matériel d'emballage et contactez le transporteur dans les 5 jours suivant la livraison.

REMARQUE : Soyez prudent quand vous utilisez un chariot élévateur à fourche pour retirer la machine de la palette. N'utilisez PAS la poignée de levage de la porte pour déplacer la machine, car cela entraînerait des problèmes de levage de la porte.

Avant l'installation, vérifiez votre service électrique pour vous assurer qu'il correspond aux spécifications de la plaque signalétique. La plaque signalétique du lave-vaisselle se trouve dans le coin inférieur droit de la machine.

INSTALLATION DES PIEDS RÉGLABLES EN ACIER INOXYDABLE

Les pieds réglables en acier inoxydable sont livrés détachés et placés dans la zone de lavage inférieure du lave-vaisselle. Ils doivent être installés dans les pattes avant l'installation de la machine. Remarque : Les machines sont livrées avec des pieds en plastique installés dans les pattes et doivent être remplacés par les pieds en acier inoxydable livrés avec la machine.

Soulevez ou inclinez la machine, dévissez et retirez les pieds en plastique et jetez-les. Installez les pieds en acier inoxydable en insérant les pieds dans les pattes.

CODES D'INSTALLATION

L'installation doit se faire en conformité avec les codes étatiques et régionaux, ou en l'absence de ceux-ci, en conformité avec le Code électrique national ANSI/NFPA 70 (dernière édition). Au Canada, le standard d'installation est le CSA No 22.1 (dernière édition).

EMPLACEMENT

Avant de finaliser l'emplacement, assurez-vous d'avoir pris en compte le conduit électrique, l'alimentation en eau, le raccord de vidange, la ventilation, les plateaux à vaisselle, le système d'alimentation en produits chimiques et le dégagement adéquat pour l'ouverture de la porte.

Le lave-vaisselle doit être de niveau avant d'effectuer toutes les connexions. Tournez le pied réglable (Fig. 1) selon les besoins pour mettre la machine de niveau et la régler à la hauteur souhaitée.

Le bord du plateau pour les plats qui surplombe le réservoir du lave-vaisselle AMTL doit être rabattu et placé sur le dessus du réservoir du lave-vaisselle (Fig. 2). Appliquez un produit d'étanchéité approuvé par la NSF entre le porte-à-faux du plateau pour les plats et la paroi intérieure du réservoir de lavage pour éviter les fuites (Fig. 2). Fixez les plateaux pour les plats à la paroi intérieure du réservoir de lavage à l'aide de vis à tête bombée ou de rivets inoxydables (Fig. 2).

Un dégagement de 76,2 cm (30 po) à l'avant et de 61 cm (24 po) sur le côté droit par 86,4 cm (34 po) au-dessus du plancher fini doivent être prévus pour le service.

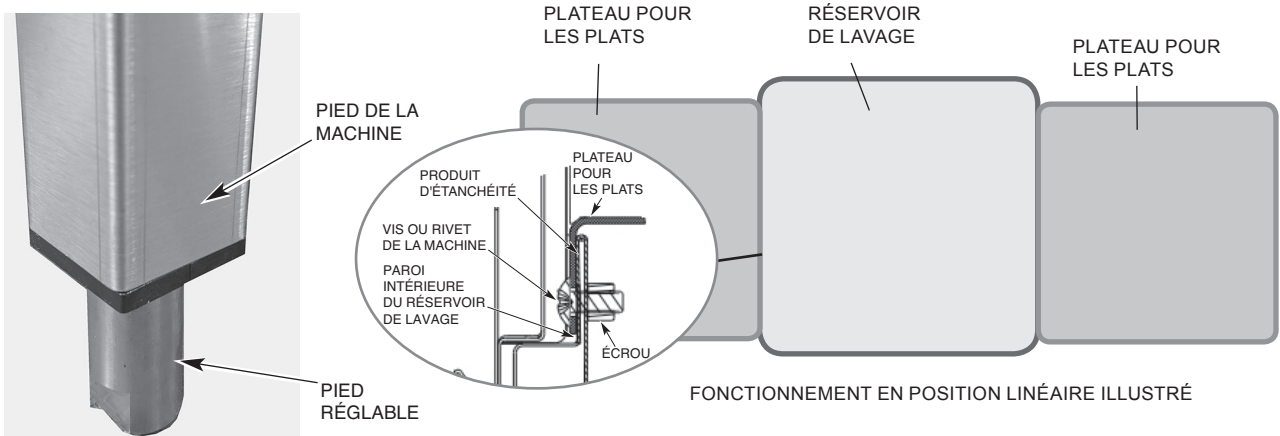


Fig. 1

Fig. 2

RACCORDS DE PLOMBERIE

▲ AVERTISSEMENT : Les raccords de plomberie doivent se conformer aux codes en vigueur concernant l'assainissement, la sécurité et la plomberie.

Besoins en eau

Une eau de bonne qualité peut améliorer les performances de lavage de la vaisselle en réduisant les taches, améliorant ainsi l'efficacité de la main-d'œuvre et prolongeant la durée de vie des équipements. Les conditions relatives à l'eau varient d'un endroit à l'autre. Le traitement de l'eau recommandé pour une utilisation efficace et efficiente de cet équipement varie également en fonction des conditions locales de l'eau. Avant l'installation, demandez à votre fournisseur d'eau municipal des détails sur les conditions locales de l'eau.

La dureté de l'eau recommandée est de 3 grains par gallon (20,5 ppm) ou moins. Une dureté de l'eau supérieure à ceci pourrait causer des dépôts de calcaire excessifs. Une dureté de l'eau au-dessus de 3 grains par gallon (20,5 ppm) requiert un traitement de l'eau. Il a été démontré que le traitement de l'eau permet de réduire les coûts liés au nettoyage des machines, de réduire le détartrage du lave-vaisselle et de réduire l'utilisation de détergents dans le lave-vaisselle. Les chlorures ne devraient pas excéder 50 ppm.

REMARQUE : Des taux de fer élevés dans l'alimentation en eau peuvent provoquer des taches et nécessiter un filtre à fer. Des taux de chlorure élevés dans l'alimentation en eau peuvent provoquer des taches et nécessiter un système de retrait du chlorure. Contactez un professionnel local du traitement d'eau pour un traitement de l'eau approprié.

Certains sédiments peuvent nécessiter un filtre particulier. Les solides dissous peuvent nécessiter un traitement de l'eau tel qu'un adoucisseur d'eau, un système d'osmose inverse, etc. Contactez un professionnel local du traitement d'eau pour un traitement de l'eau approprié.

Si une inspection du lave-vaisselle ou du surchauffeur révèle une accumulation de calcaire après la mise en service de l'équipement, un traitement de l'eau est recommandé. Si un adoucisseur d'eau est déjà installé, assurez-vous qu'il existe un niveau de sel suffisant. Pour toutes recommandations spécifiques, veuillez contacter le bureau de service de Hobart.

Connexion de l'alimentation en eau

Le plombier qui raccorde cette machine est responsable de s'assurer que les conduites d'eau sont PARFAITEMENT RINCÉES AVANT d'être raccordées au lave-vaisselle. Ce « rinçage » est nécessaire pour éliminer tous les corps étrangers, tels que les copeaux (résultant de la coupe ou du filetage des tuyaux), la pâte à joint des conduites ou, si des raccords soudés sont utilisés, les morceaux de soudure ou les coupures des tubes. Les débris, s'ils ne sont pas enlevés, peuvent se loger dans les composants de plomberie du lave-vaisselle et les rendre inopérants. Les vannes manuelles ou les électrovannes encrassées par des corps étrangers et les dépenses résultant de cet encrassement NE sont PAS de la responsabilité du fabricant et les coûts de réparation associés ne sont pas couverts par la garantie.

Les exigences d'alimentation en eau sont les suivantes :

EXIGENCES POUR L'ALIMENTATION EN EAU

Modèle	Mode d'assainissement	Connexion	Alimentation en eau		
			Minimum	Maximum	Recommandé
AMTL	Assainissement à eau chaude	Eau chaude	43 °C (110 °F)	S/O	49 °C (120 °F)

Le flux de pression d'eau requis pour le lave-vaisselle est de 15 à 65 psig. Si la pression excède 65 psig, une valve de régulateur de pression doit être installée sur la conduite d'alimentation (par des tiers). Si la pression dynamique est inférieure à 15 psi, un fonctionnement inapproprié de la machine peut se produire. Tous les modèles AMTL sont équipés de systèmes de rinçage à pompe; par conséquent, une jauge de pression d'eau n'est pas nécessaire et n'est pas fourni avec la machine.

REMARQUE : Le régulateur de pression d'eau doit posséder une dérivation de surpression. L'utilisation d'un régulateur de pression de type incorrect pourrait endommager l'unité.

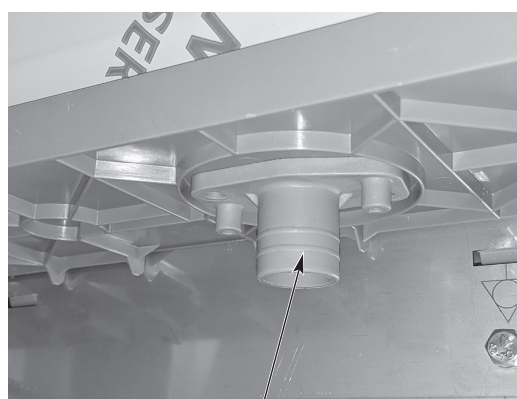
Une vanne d'arrêt manuelle (non fournie) doit être installée en amont du tuyau de remplissage pour permettre l'entretien de la machine. Il est recommandé d'installer un filtre de conduite (non fourni) sur la ligne d'alimentation entre la vanne d'arrêt manuelle (non fournie) et le point de connexion sur la machine. Toutes les machines sont livrées en standard avec un tuyau de remplissage de 244 cm (96 po) de long en acier inoxydable tressé avec un raccord femelle de 1,9 cm (3/4 po) pour tuyau d'arrosage. Effectuez les raccords de plomberie avec des tuyaux en cuivre de 1,3 cm (1/2 po) minimum de diamètre extérieur (1,9 cm [3/4 po] recommandé), avec un raccord mâle de 1,9 cm (3/4 po) pour tuyau d'arrosage (non fourni).

Raccord de vidange

Un tuyau de vidange, de 1,6 cm (5/8 po) de diamètre intérieur et de 2 m (6,5 pi) de long, est fourni et livré non installé dans la zone de lavage inférieure de la machine. Connectez l'extrémité avec le collier de serrage au raccord cannelé situé en bas à l'arrière de la machine (Fig. 3). Le tuyau de vidange doit être solidement raccordé à une évacuation. Faites attention de ne pas plier le tuyau. L'évacuation doit offrir un débit minimal de 57 litres (15 gallons) par minute. La hauteur du tuyau d'évacuation ne peut dépasser 1 m (40 po) au-dessus du sol fini.

Si un bac à graisse est exigé par le code, il doit avoir une capacité de débit minimale de 70 l (18,5 gallons) par minute.

Une coupure anti-retour est disponible pour la vidange à pompe en utilisant le code d'accessoire PUMPDRN-AIRGAP ou la trousse de service numéro 00-562492. Reportez-vous aux instructions d'installation fournies avec la trousse.



RACCORD CANNELÉ



CONNECTEZ LE TUYAU DE VIDANGE AU RACCORD CANNELÉ À L'AIDE DE L'ACCOUPLÉMENT À SERRAGE FOURNI

Fig. 3

EXIGENCES DE VENTILATION

REMARQUE : Toute hotte aspirante commerciale fabriquée en usine, répertoriée et étiquetée, testée conformément à la norme UL 710 par un laboratoire d'essai reconnu à l'échelle nationale, doit être installée conformément aux conditions de sa liste et aux instructions d'installation du fabricant.

Calculs du taux de circulation d'air

Basés sur le code mécanique international 2021.

Le débit d'air net minimum pour les hottes de type II utilisées pour les appareils à laver la vaisselle doit être de 100 pi³/min par pied linéaire de longueur de hotte. La quantité nette d'air évacué est calculée en soustrayant tout débit d'air fourni directement à une cavité de la hotte du débit d'évacuation total de la hotte.

Selon l'article 507.3 de l'IMC 2021, les hottes de type II ne sont pas requises lorsque la charge de chaleur et d'humidité est intégrée dans la conception du système CVC. Voir le tableau A pour la dissipation de la chaleur ou le gain de chaleur dans l'espace.

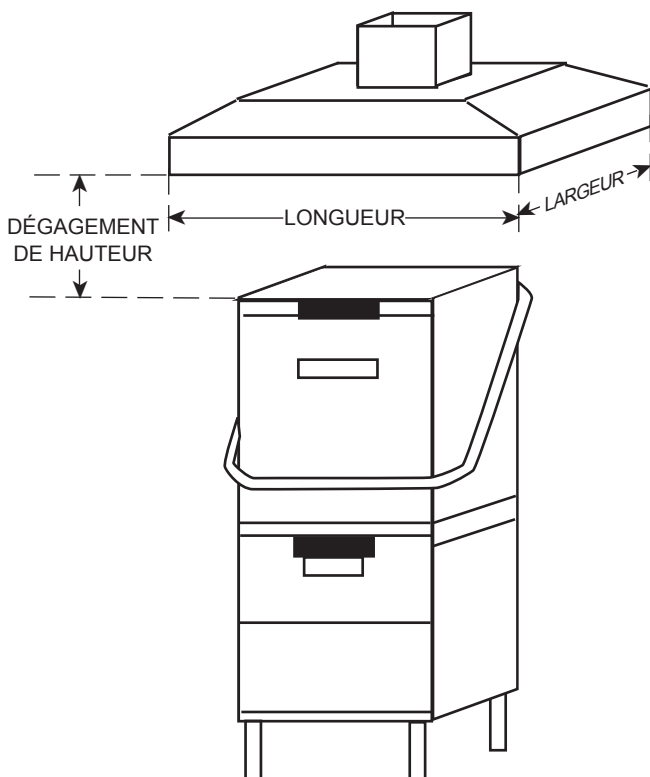


Fig. 4

TABEAU A : DISSIPATION THERMIQUE

	Modèle	Chaleur électrique	Surchauffeur électrique	Chaleur latente (BTU/h)	Chaleur sensible (BTU/h)
Assainissement à eau chaude	AMTL	X	X	9 600	4 900

- Hypothèses :
1. Les machines fonctionnent à 70 % de l'heure lorsqu'elles sont utilisées.
 2. Les valeurs indiquées correspondent à la chaleur qui entre dans la pièce.
 3. 70 % de la chaleur produite est latente, 30 % est sensible.

RACCORDS ÉLECTRIQUES

⚠ AVERTISSEMENT : Les connexions électriques et de mise à la terre doivent respecter les parties en vigueur du code national d'électricité NFPA 70 (dernière édition) ou d'autres codes électriques locaux.

⚠ AVERTISSEMENT : Débranchez l'alimentation électrique de la machine (à la fois le lave-vaisselle et le presseur, le cas échéant) et suivez les procédures de verrouillage/étiquetage. Assurez-vous qu'ils sont tous déconnectés.

Reportez-vous au schéma de câblage situé au dos du panneau de garniture avant inférieur et à la plaque signalétique de la machine pour connaître les exigences en matière de taille de service lors du raccordement du lave-vaisselle. Reportez-vous également aux données électriques, indiquées ci-dessous.

Pour accéder à la zone de contrôle, retirez le panneau de garniture avant inférieur en enlevant les deux vis situées au bas du panneau et en le soulevant. Desserrez la vis située dans le coin supérieur droit du panneau de l'enceinte des commandes et ouvrez-le vers la gauche. Le branchement électrique du lave-vaisselle peut être effectué au niveau de l'orifice à défoncer de 1,9 cm (3/4 po) ou 2,5 cm (1 po) situé sur le côté avant droit sous la machine.

DONNÉES ÉLECTRIQUES

Modèles	Volts / Hz / Ph	Température du réservoir	Ampérage minimum du circuit Dispositif de protection maximum AMPS		
			TB1 Surchauffeur électrique et commandes	TB2 Réchauffeur électrique de carter	Lave-vaisselle et surchauffeur triphase avec connexion électrique à point unique
AMTL	208 - 240 / 60 / 1	Électrique	60	50	
	208 - 240 / 60 / 3	Électrique	40	25	60

Compilé conformément au code électrique national, NFPA 70 (dernière édition).

Un sectionneur à fusible ou un disjoncteur (fourni par le client) doit être installé sur la ou les lignes de service électrique alimentant ce lave-vaisselle et doit être conforme aux exigences du code électrique local.

Installez un support en acier inoxydable, livré en vrac avec la machine située dans la zone de lavage inférieure, pour soutenir l'alimentation électrique entrante. Fixez le support en bas à droite de la machine à l'aide des deux boulons fournis avec le support (Fig. 5).



Fig. 5

La machine AMTL est livrée en standard avec une alimentation triphasée et une configuration électrique à un seul point de raccordement. L'alimentation électrique standard à un seul point se connecte au bornier TB1 dans la zone des commandes (Fig. 6). Cet appareil doit être mis à la terre conformément au code électrique; une prise mise à la terre est fournie.

Pour convertir un modèle AMTL en une configuration électrique à deux points ou pour passer du triphasé au monophasé, consultez les instructions F-45882 situées au dos du panneau de garniture avant inférieur.

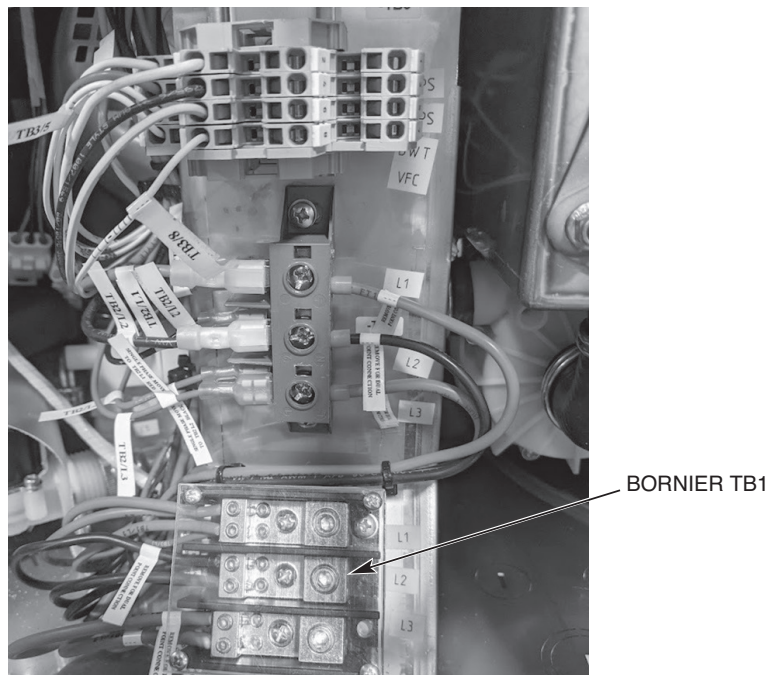


Fig. 6

CONNEXIONS DE L'ÉQUIPEMENT

⚠ AVERTISSEMENT : Les raccords électriques et de mise à la terre doivent respecter les parties en vigueur du code national d'électricité.

⚠ AVERTISSEMENT : Débranchez l'alimentation électrique de la machine (à la fois le lave-vaisselle et le surpresseur, le cas échéant) et suivez les procédures de verrouillage/étiquetage. Assurez-vous qu'ils sont tous déconnectés.

Commande du ventilateur du conduit d'aération

La fonction de contrôle du ventilateur d'évacuation est standard sur tous les modèles AMTL. Le relais de commande du ventilateur d'aération fournit des contacts de commutation uniquement et ne fournit pas de courant au moteur du ventilateur d'aération. La puissance nominale des contacts du relais de commande du ventilateur d'aération aux bornes VFC-7 et VFC-8 est de 1,5 A à la tension d'alimentation de la plaque signalétique. Quand le lave-vaisselle est relié au ventilateur d'aération, ce dernier s'allume quand le lave-vaisselle est en marche et s'éteint quand le lave-vaisselle est à l'arrêt.

DISTRIBUTEURS DE DÉTERGENT ET DE PRODUIT DE RINÇAGE (FOURNIS ET INSTALLÉS PAR DES TIERS)

Installation des tubes

Les distributeurs de détergent et de produit de rinçage non fournis par Hobart doivent avoir tous les raccords scellés contre les fuites.

Les lave-vaisselle de la série AMTL utilisent 2,3 l (0,62 gallon) d'eau de rinçage par grille pour les niveaux supérieurs et inférieurs indépendants. Cette information est utilisée lors du réglage des pompes de détergent et de produit de rinçage.

REMARQUE : Tous les modèles AMTL utilisent un système de rinçage à pompe; une jauge de pression n'est pas nécessaire.

Distributeur de détergent

Le lave-vaisselle comporte trois trous bouchés de 2,2 cm (7/8 po) de diamètre; deux sur les parois latérales supérieures arrière du réservoir (un côté gauche, un côté droit, Fig. 7) et un sur le côté inférieur droit du réservoir de lavage (Fig. 8). Lorsque le réservoir est vide, retirez les deux bouchons pour installer le distributeur de détergent.

- Les trous de la partie supérieure du réservoir sont destinés à l'installation du tube d'alimentation en détergent (utilisez l'emplacement situé à gauche ou à droite).
- Le trou inférieur du réservoir est utilisé pour l'installation du capteur de détergent.



Fig. 7

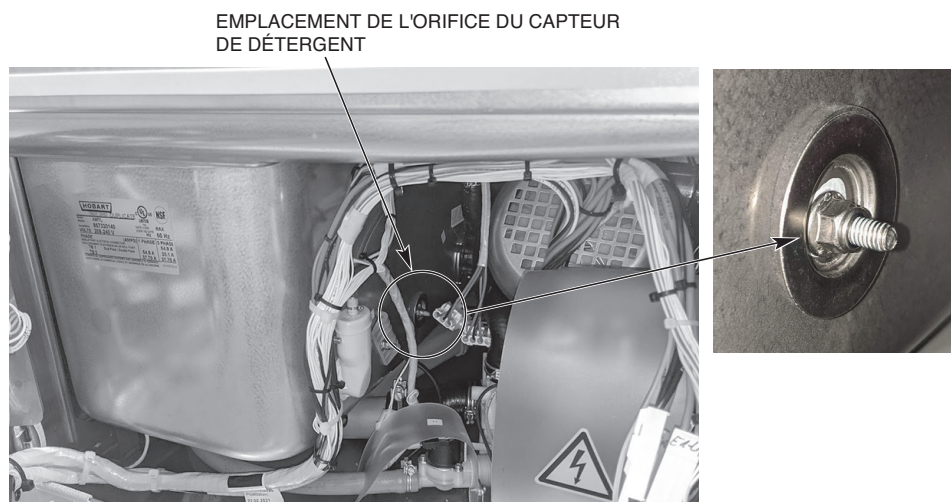


Fig. 8

Distributeur de produit de rinçage

Retirez le bouchon de 0,3 cm (1/8 po) NPT situé sur le dessus de la machine dans l'angle droit arrière pour l'installation du tube distributeur de produit de rinçage (Fig. 9).

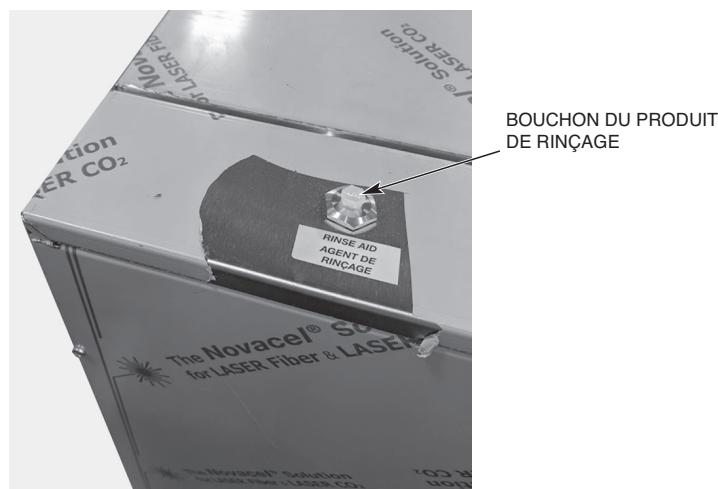


Fig. 9

DISTRIBUTEURS DE DÉTERGENT ET DE PRODUIT DE RINÇAGE – CONNEXIONS DE L'ÉQUIPEMENT

▲ AVERTISSEMENT : Les raccords électriques et de mise à la terre doivent respecter les parties en vigueur du code national d'électricité NFPA 70 (dernière édition) ou d'autres codes électriques locaux.

▲ AVERTISSEMENT : Débranchez l'alimentation électrique de la machine (à la fois le lave-vaisselle et le surpresseur, le cas échéant) et suivez les procédures de verrouillage étiquetage. Assurez-vous qu'ils sont tous déconnectés.

Cette machine doit fonctionner avec un distributeur automatique de détergent, équipé d'un moyen visuel de vérifier la distribution des détergents ou d'une alarme visuelle ou audible pour signaler si les détergents ne peuvent être distribués aux systèmes de lavage et d'assainissement. Reportez-vous à la section d'installation de ce manuel et au(x) manuel(s) d'équipement du distributeur chimique.

Distributeur de détergent

Les bornes DPS-3 et DPS-4 (Fig. 10) sont alimentées par la tension de ligne contrôlée de la machine. Elles sont sous tension (ON) pendant le cycle de lavage et hors tension (OFF) entre les cycles, lorsque la machine est en cycle de détartrage ou lorsque l'alimentation de la machine est désactivée (OFF). **L'intensité maximale du distributeur de détergent connecté à DPS-3 et DPS-4 est de 1,5 A à la tension du secteur.** Vérifiez la tension d'alimentation de la machine et utilisez la tension correspondante du transformateur d'alimentation. Utilisez un fil isolé de 600 V minimum homologué UL pour les connexions. N'utilisez pas de fil de sonnette, de cordon de lampe ou de fil de type similaire. Les raccords, si nécessaire, doivent être effectués dans la boîte de jonction du transformateur d'alimentation (fournie par des tiers) - et non dans l'enceinte des commandes principales. Utilisez l'orifice de 2,2 cm (7/8 po) de diamètre situé sous la machine sur le côté avant droit de la machine pour le raccord de conduit de 1,3 cm (1/2 po). Pour accéder, retirez le panneau avant inférieur et le panneau du côté droit. Des raccords de décharge de traction doivent être prévus pour tout le câblage.

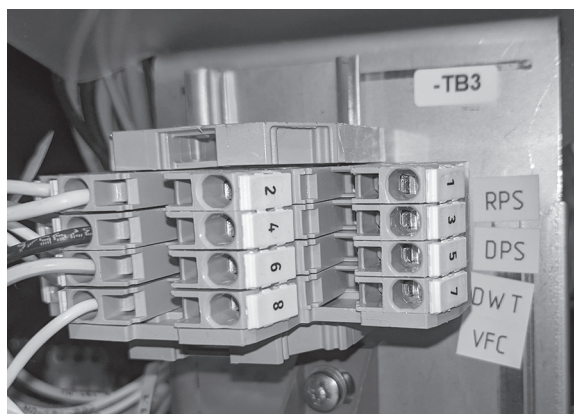


Fig. 10

Distributeur de produit de rinçage

Les bornes RPS-1 et RPS-2 (Fig. 10) sont alimentées par la tension de ligne contrôlée de la machine. Elles sont sous tension (ON) pendant le cycle de rinçage et hors tension (OFF) entre les cycles, lorsque la machine est en cycle de détartrage ou lorsque l'alimentation de la machine est désactivée (OFF). **L'intensité maximale du distributeur de produit de rinçage connecté à RPS-1 et RPS-2 est de 1,5 A à la tension du secteur.** Vérifiez la tension d'alimentation de la machine et utilisez la tension correspondante du transformateur d'alimentation. Utilisez un fil isolé de 600 V minimum homologué UL pour les connexions. N'utilisez pas de fil de sonnette, de cordon de lampe ou de fil de type similaire. Les raccords, si nécessaire, doivent être effectués dans la boîte de jonction du transformateur d'alimentation (fournie par des tiers) - et non dans l'enceinte des commandes principales. Utilisez l'orifice de 2,2 cm (7/8 po) de diamètre situé sous la machine sur le côté avant droit de la machine pour le raccord de conduit de 1,3 cm (1/2 po). Pour accéder, retirez le panneau avant inférieur et le panneau du côté droit. Des raccords de décharge de traction doivent être prévus pour tout le câblage.

UTILISATION

PRÉPARATION

Le tuyau vertical doit se trouver à son emplacement correct sous le panier du filtre (Fig. 11). Placez le bac du filtre et le panier du filtre dans leur position correcte (Fig. 12).

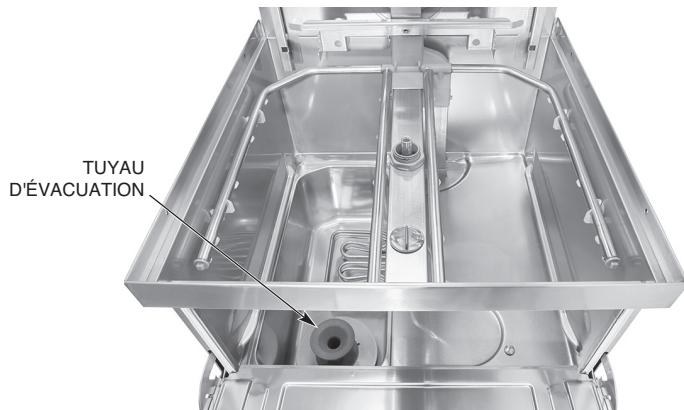
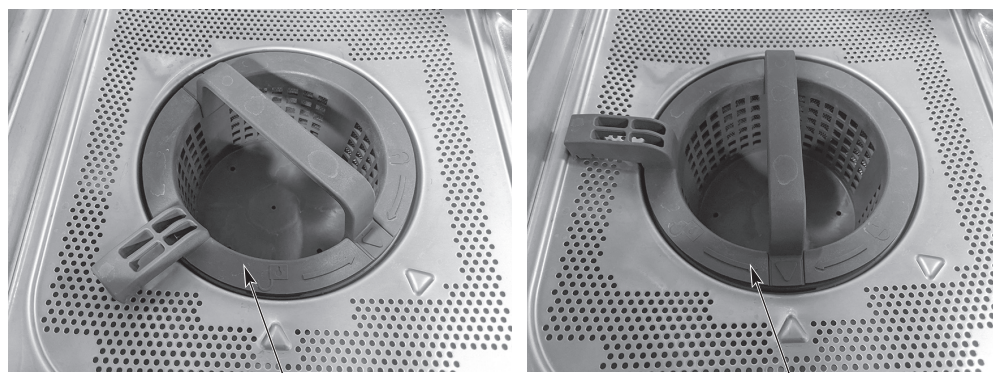


Fig. 11



Fig. 12

REMARQUE : Lors de l'installation du panier du filtre, assurez-vous que le panier est en position « verrouillée » (Fig. 13).



PANIER DU FILTRE EN POSITION DÉVERROUILLÉE

PANIER DU FILTRE EN POSITION VERROUILLÉE

Fig. 13

Un distributeur automatique de détergent est nécessaire. Suivez attentivement les instructions du fournisseur.

Fermez la porte Appuyez sur le bouton MARCHE pour mettre la machine sous tension (Fig. 14). Si la porte de la machine est fermée et qu'il n'y a pas d'eau dans le réservoir, le cycle de remplissage commence automatiquement. Si de l'eau est détectée dans le réservoir, la machine vérifie la température de l'eau et si l'eau est froide, la machine évacue l'eau avant de la remplir d'eau fraîche. Si l'eau est chaude, la machine la chauffe jusqu'à la température appropriée du réservoir de lavage. Pendant le cycle de remplissage, le mot FILLING (Remplissage) s'affiche avec l'image d'un seau qui se remplit pour indiquer la progression (Fig. 15).

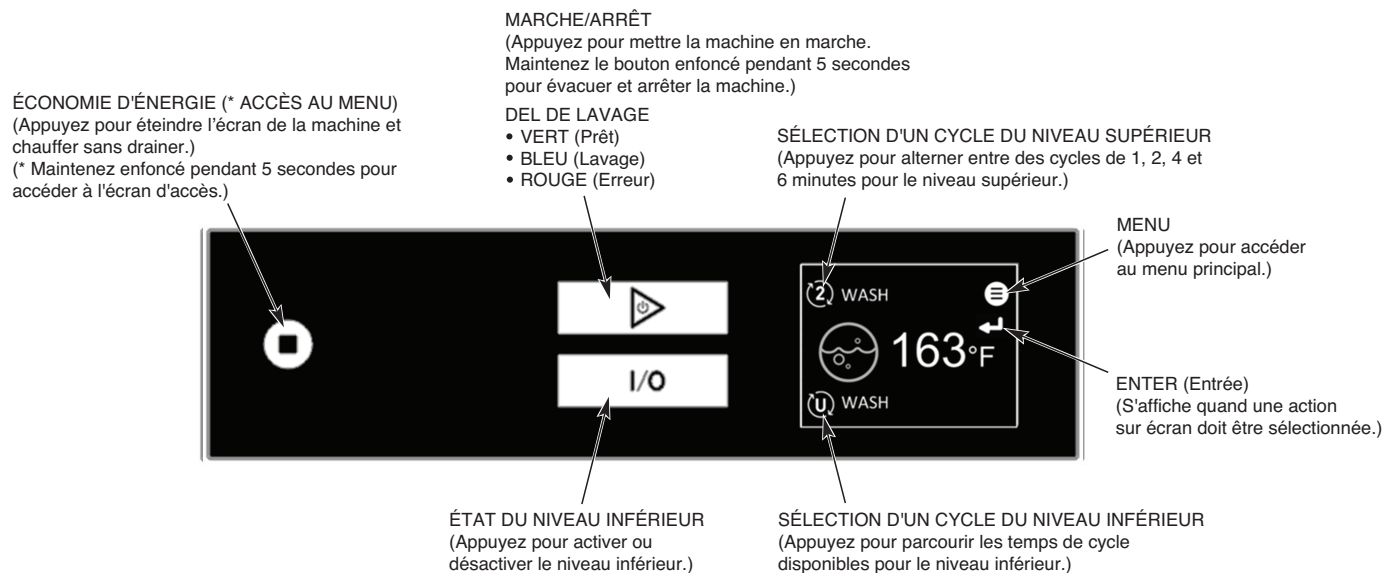


Fig. 14

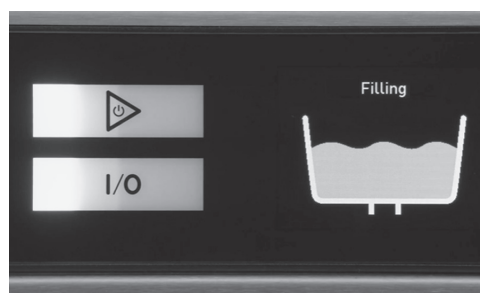


Fig. 15

LAVE-VAISSELLE

Grattez la vaisselle pour enlever les grosses particules d'aliments et les débris. N'utilisez jamais de laine d'acier sur la vaisselle à charger dans le lave-vaisselle.

Disposez les plats sur une grille. N'empilez pas les plats les uns sur les autres, car l'eau doit pouvoir accéder librement à tous les côtés de chaque plat. Placez les assiettes et les plats sur le côté dans une grille de type égouttoir (Fig. 16). Les tasses, les verres et les bols doivent être placés à l'envers dans une grille ouverte ou à compartiments (Fig. 16). L'argenterie et les autres petites pièces peuvent être éparpillées librement sur le fond d'une grille à fond plat.

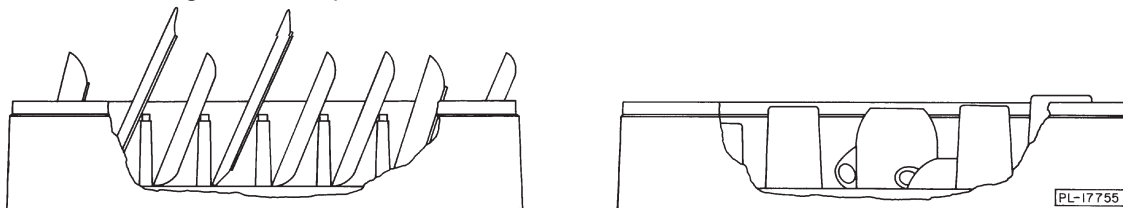


Fig. 16

Ne laissez pas d'objets étrangers pénétrer dans l'appareil, en particulier les contaminants métalliques.

Sélectionnez le cycle de lavage : 1 pour la vaisselle normale, 2, 4 ou 6 pour les casseroles et les poêles.

Chaque cycle de lavage est suivi d'un rinçage automatique. Lorsque le cycle de rinçage est terminé et que l'icône de rinçage s'éteint, la porte peut être ouverte. Si seule la section supérieure est utilisée, la section inférieure peut être désactivée en appuyant sur le bouton I/O. Avant de pouvoir désactiver la zone de lavage inférieure, la vaisselle doit être retirée de la zone de lavage inférieure.

Pour les articles de la section inférieure qui peuvent nécessiter plusieurs cycles de lavage, sélectionner le cycle pour ustensiles. Lorsqu'elle est réglée sur le cycle des ustensiles, la zone de lavage inférieure effectue trois cycles de lavage suivis d'un seul cycle de rinçage. La section supérieure continue d'exécuter des cycles normaux lorsqu'elle est réglée sur le mode ustensile; un cycle de lavage suivi d'un cycle de rinçage unique.

REMARQUE : Seule la partie supérieure est cotée NSF pour les pots et les casseroles.

Après avoir rempli une grille, ouvrez la porte, faites glisser la grille dans le lave-vaisselle et fermez la porte.

Pendant le cycle de lavage, la température de l'eau du réservoir est affichée sur l'écran du panneau avant, ainsi que le mot WASH (Lavage) et une icône. Pendant le cycle de rinçage, la température de l'eau de rinçage est affichée, ainsi que le mot RINSE (Rinçage) et une icône. Lorsque le cycle de rinçage est terminé, l'affichage indique la température de l'eau du réservoir.

REMARQUE : Les zones de lavage supérieure et inférieure partagent la même eau de lavage et de rinçage, de sorte qu'une seule lecture de température est affichée, qui représente les deux sections.

Lorsque l'écran affiche « cycle complete » (Cycle terminé), ouvrez la porte, retirez la vaisselle propre, glissez une autre grille et fermez les portes.

Ce lave-vaisselle n'est pas conçu pour être ouvert avant la fin d'un cycle, mais si vous devez ajouter un plat après le début du cycle de lavage, ouvrez la porte lentement, jusqu'à ce que la pompe s'arrête. Attendez 10 secondes pour permettre au bras de lavage de descendre en roue libre et pour éviter les projections d'eau avant d'ouvrir complètement la porte.

Températures de fonctionnement de l'ATML :

Mode d'assainissement	Température de lavage pour lavage minimum	Température de rinçage pour rinçage minimum
Eau chaude	66 °C (150 °F)	82 °C (180 °F)

NETTOYAGE

La machine doit être soigneusement nettoyée à la fin de chaque quart de travail ou au moins quotidiennement. N'utilisez jamais de laine d'acier pour le nettoyage des surfaces du lave-vaisselle. N'utilisez que des produits formulés pour être sans danger pour l'acier inoxydable.

1. Assurez-vous que les portes supérieure et inférieure sont fermées.
2. Appuyez sur le bouton d'alimentation pendant 5 secondes (jusqu'à ce que la barre de progression soit complète), pour évacuer et éteindre la machine.
3. Une fois que l'écran s'est éteint, ouvrez les portes supérieure et inférieure.
4. Retirez le rail de la section supérieure de la grille, les bras de lavage et de rinçage supérieur et inférieur, suivis de la plaque de séparation (Fig. 17). Puis, retirez le rail de la section inférieure de la grille et les bras de lavage et de rinçage (Fig. 18). Lavez et rincez soigneusement tous les composants retirés dans un évier avec un nettoyant doux. Assurez-vous que les bras de lavage et de rinçage ne sont pas obstrués. Remarque : Reportez-vous à la section Entretien (page 25) pour le retrait des bras de lavage et de rinçage.

REMARQUE : Ne cognez ni ne rincez les bras pour les nettoyer.

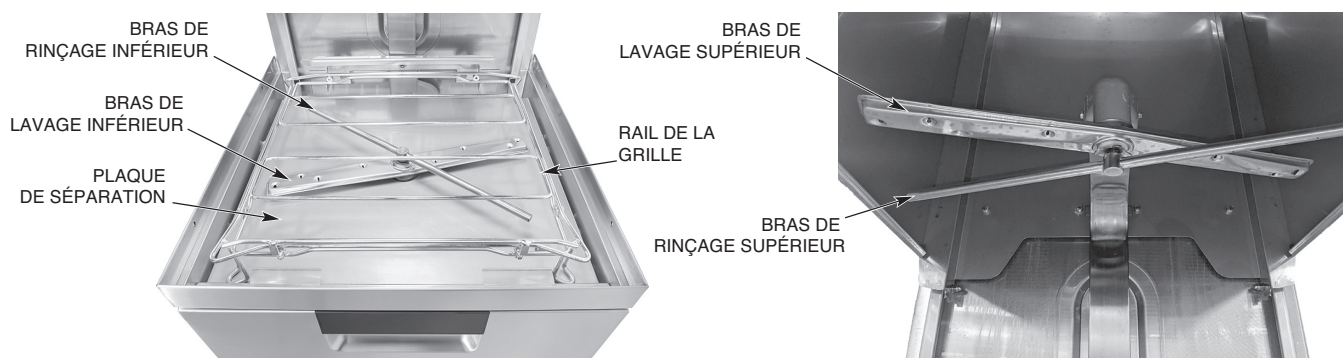


Fig. 17



Fig. 18

5. Nettoyez et rincez soigneusement l'intérieur du lave-vaisselle. Enlevez les saletés restantes avec un chiffon doux ou une brosse et un nettoyant doux. Rincez à nouveau.
6. Retirez et videz le panier du filtre, le bac du filtre et le tuyau vertical (Fig. 19). Lavez et rincez soigneusement dans un évier avec un nettoyant doux.

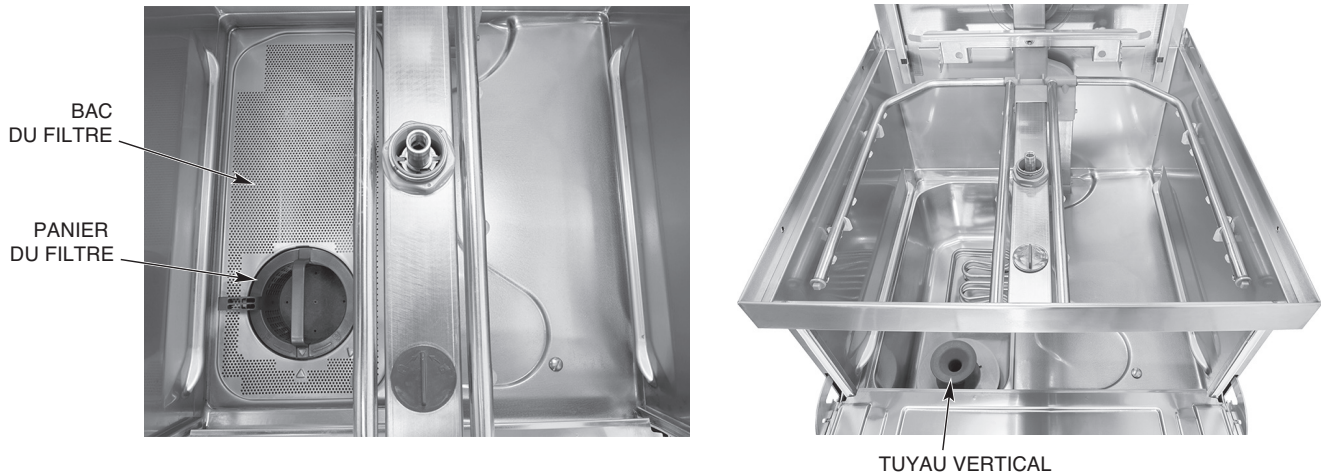


Fig. 19

7. Nettoyez le fond du réservoir. Ne laissez pas les déchets alimentaires s'accumuler au fond du réservoir ni s'infiltrer dans le drain.
8. Réinstallez toutes les pièces retirées dans l'ordre inverse. Laissez la porte de la machine ouverte pour permettre à l'intérieur de s'aérer et de sécher.

INSTRUCTIONS DE DÉTARTRAGE

Processus de détartrage manuel

La machine invitera l'opérateur à procéder à un détartrage en fonction de la dureté de l'eau et de l'utilisation de la machine. Lorsque l'opérateur est invité à le faire, l'afficheur indique « Détartrage requis. Démarrer le cycle de détartrage? ». Si l'appareil est prêt à être détartré, appuyez sur l'un des boutons fléchés pour mettre en surbrillance « yes » (oui) et appuyez sur le bouton « Enter » (Entrée). Appuyez sur le bouton « Enter » (Entrée) pour mettre en surbrillance « no » (non) afin d'effectuer le détartrage de la machine plus tard. Si « yes » (oui) est sélectionné, passez à l'étape 3 ci-dessous. Commencez le processus à l'étape 1 si le processus de détartrage manuel est lancé sans l'invite.

1. Consultez le menu Display (affichage) pour sélectionner le programme de détartrage (« Delime Program »).
2. L'écran affiche le message « Start Delime Cycle? » (Démarrer le cycle de détartrage?). Appuyez sur l'un des boutons fléchés pour mettre en surbrillance « yes » (oui) et appuyez sur le bouton « Enter » (Entrée).
3. Le message « Please Clean strainer » (Nettoyer le filtre) s'affiche. Ouvrez la porte de la machine et retirez le panier et le bac du filtre. Nettoyez le panier et le bac dans un évier avec un détergent doux et rincez.
4. Remplacez le bac et le panier du filtre dans la machine et vérifiez que le panier est en position verrouillée.

5. Fermez la porte de la machine et appuyez sur le bouton « Enter » (Entrée). La machine se vidange. Une fois la machine vidangée, le message « Please insert delime » (Insérer le produit de détartrage) s'affiche. Ouvrez la porte de la machine et versez la quantité requise de produit de détartrage dans le réservoir de lavage, conformément aux recommandations des fournisseurs de produits chimiques pour un réservoir de lavage de 30 l (7,9 gallons), puis fermez la porte.
6. Une fois la porte fermée, appuyez sur le bouton « Enter » (Entrée). Le réservoir se remplit d'eau fraîche. Une fois rempli, l'appareil commence un cycle de lavage de 10 minutes. Remarque : Le bouton « Enter » (Entrée) n'apparaît pas à l'écran tant que la porte n'est pas ouverte et fermée.
7. Après un cycle de lavage de 10 minutes, la machine se vide et se remplit d'eau fraîche. Une fois rempli, l'appareil entame un cycle de lavage d'une minute pour éliminer tout résidu de produit chimique de détartrage.
8. Après un cycle de lavage d'une minute, la machine se vide et s'éteint.

REMARQUE : Pendant le cycle de détartrage, « DELIME » apparaîtra à l'écran lorsque l'interface utilisateur ne sera pas demandée.

CHOSSES À FAIRE ET À NE PAS FAIRE EN CE QUI CONCERNE VOTRE NOUVEAU LAVE-VAISSELLE HOBART

Veillez à ce que la dureté de l'eau soit correcte (3 grains ou moins par gallon sont recommandés). Faites un pré-nettoyage de la vaisselle.

N'utilisez que des détergents recommandés par votre expert en produits chimiques.

À la fin de la journée, nettoyez soigneusement la machine, rincez-la et séchez-la (laissez la porte ouverte). Suivez scrupuleusement le calendrier de détartrage prescrit par votre expert en produits chimiques.

N'utilisez que des produits formulés pour être sans danger pour l'acier inoxydable. N'utilisez pas de détergents formulés pour les lave-vaisselle résidentiels. Ne laissez pas les saletés alimentaires s'accumuler au fond du réservoir.

Ne dépassez pas les concentrations recommandées par le fabricant de produits chimiques pour les détergents, les agents assainissants, les produits de rinçage ou les produits de détartrage.

N'utilisez pas de laine d'acier pour nettoyer les surfaces de la vaisselle ou du lave-vaisselle.

Ne laissez pas d'objets étrangers pénétrer dans l'appareil, en particulier les contaminants métalliques tels que les trombones, les attaches, etc.

REMARQUE : Le non-respect des instructions concernant le fonctionnement, le soin et l'entretien de votre lave-vaisselle Hobart peut entraîner l'annulation de la garantie.

PROGRAMMATION

MENU DE GESTION

Les lave-vaisselle AMTL offrent des options de personnalisation pour le fonctionnement de la machine. Pour activer ou modifier ces fonctions, entrez dans le menu de gestion en suivant la procédure suivante.

1. Mettez le lave-vaisselle sous tension. L'écran Ready (Prêt) s'affiche quand le cycle de remplissage est terminé.
2. Appuyez sur le bouton Menu.
3. Lorsque l'option « Manager Menu » (Menu de gestion) est en surbrillance, appuyez sur le bouton « Enter ». L'écran « Enter PIN » (Saisissez le code NIP) s'affiche.
4. Le code de gestionnaire par défaut est « 1001 ». Utilisez les boutons fléchés pour modifier la valeur, puis appuyez sur le bouton « Enter » (Entrée) pour sélectionner la valeur et passer au chiffre suivant jusqu'à ce que le code soit saisi.
5. Utilisez les flèches vers le haut et vers le bas pour passer d'un élément à l'autre du menu de gestion.
 - a. Une fois la sélection souhaitée soulignée, appuyez sur le bouton « Enter ».
 - b. Pour les sélections qui sont modifiables, utilisez les flèches haut et bas pour changer la valeur.
 - c. Une fois la valeur requise affichée, appuyez sur le bouton « Enter » pour enregistrer la sélection.
6. Pour quitter la programmation, utilisez les flèches vers le haut et vers le bas pour faire défiler les paramètres jusqu'à ce que « back » (retour) soit souligné et appuyez sur le bouton « Enter » (entrée). Répétez cette procédure jusqu'à ce que l'écran Ready (Prêt) soit affiché.

PARAMÈTRES DU MENU DE GESTION

Nom du paramètre	Description	Valeurs possibles	Valeur par défaut
RÉGLAGES DE LA MACHINE			
Language (Langue)	Définit la langue d'affichage de la machine.	English, French, Spanish, etc. (Anglais, français, espagnol, etc.)	English (Anglais)
Date	Définit le jour, le mois et l'année en cours.		
Time (Heure)	Sélectionne l'heure actuelle (heures et minutes). L'heure peut également être mise à jour au format 24 h.		
Temperature Units (Unités de température)	Règle l'affichage de la température en Fahrenheit ou en Celsius.	Fahrenheit ou Celsius	Fahrenheit
PARAMÈTRES D'AFFICHAGE			
Brightness (Luminosité)	Augmente ou diminue la luminosité de l'écran de la machine.		

Nom du paramètre	Description	Valeurs possibles	Valeur par défaut
ALARME DE MACHINE			
Machine Alarm (Alarme de machine)	Active ou désactive une alarme sonore de fin de cycle.	Enable (Activer) ou Disable (Désactiver)	Enable (Activer)
DURETÉ DE L'EAU			
Réglage de la dureté de l'eau	Règle la dureté de l'eau d'alimentation.	0 gr/gal - 250 gr/gal	250 gr/gal
JOURNAL DES CYCLES DE LA MACHINE			
Show Cycle Information (Afficher les informations sur le cycle)	Affiche la date et l'heure des cycles précédents.		
DÉMARRAGE AUTOMATIQUE*			
Enable/Disable (Activer/Désactiver)	Permet de désactiver ou d'activer la fonction de démarrage automatique.	Enable (Activer) ou Disable (Désactiver)	Disable (Désactiver)
Settings (Configuration)	Définit le jour de la semaine et l'heure du démarrage automatique. Si la fonction est activée, la machine se met automatiquement en marche et se remplit au jour et à l'heure définis.		
WiFi			
Enable/Disable (Activer/Désactiver)	Active ou désactive la connectivité WiFi.	Enable (Activer) ou Disable (Désactiver)	Disable (Désactiver)
Status (État)	Affiche l'état actuel de la connexion WiFi de la machine.		
Connection Assistant (Assistant de connexion)	<ul style="list-style-type: none"> • Search Network (Réseau de recherche) • Add Network (Ajouter un réseau) 		
Access Code (Code d'accès)	Génère un code d'accès qui peut être utilisé pour jumeler la machine à l'application SmartConnect.		
Connection Test (Test de connexion)	Teste la connexion WiFi avec la machine pour confirmer la connectivité WiFi.		
Manual Installation (Installation manuelle)	<ul style="list-style-type: none"> • Search Network (Réseau de recherche) • Add Network (Ajouter un réseau) 		
Assistant de connexion mobile	Connecte la machine au sans fil en utilisant l'application SmartConnect.	Oui ou non	

Nom du paramètre	Description	Valeurs possibles	Valeur par défaut
RÉGULATION DE LA TEMPÉRATURE DE L'EAU DE DRAINAGE			
Enable/Disable (Activer/Désactiver)	Active la vanne thermostatique de l'eau de drainage. Remarque : Requier l'installation d'une trousse de régulation de la température de l'eau de drainage.		

APPLICATION HOBART SMARTCONNECT

Grâce au WiFi intégré, vous pouvez connecter votre lave-vaisselle commercial AMTL à notre application pour téléphone intelligent facile à utiliser. Avec l'application gratuite de Hobart SmartConnect, vous pouvez créer de meilleures procédures et améliorer les performances dans la salle de vaisselle en contrôlant l'assainissement et en analysant l'utilisation, la consommation et les coûts.

REMARQUE : pour les alimentations de 240 V, 380 V et 440 V, contactez le service après-vente de Hobart pour ajuster la valeur de la puissance dans les paramètres de service afin d'obtenir des valeurs de consommation d'énergie précises.

Se connecter

Enregistrement d'un compte

1. Ouvrez l'application et tapez sur « **Register** » (Enregistrer).
2. Saisissez votre adresse électronique et appuyez sur « **Send Verification Code** » (Envoyer le code de vérification). Saisissez ensuite le code que vous recevez dans votre courriel.
3. Fournissez les informations manquantes, y compris un mot de passe.
4. Appuyez sur « **Create** » (Créer).
5. Lisez et acceptez l'accord de licence de l'utilisateur final et la politique de confidentialité. Appuyez sur « **Confirm** » (Confirmer) quand vous avez terminé.

Vous pouvez maintenant utiliser l'application pour vous connecter au WiFi et jumeler votre machine.

Connexion de l'AM16 au WiFi depuis l'application SmartConnect

1. Appuyez sur l'icône « hamburger » du menu, puis appuyez sur le bouton « **WiFi** ».
2. Appuyez sur « **Connect** » (Connecter) pour Hobart.
3. Suivez le guide de l'application pour préparer la machine à la connexion.
4. Appuyez sur « **Confirm Instructions** » (Confirmer les instructions) et appuyez sur « **Yes** » (Oui) si la machine est prête à être connectée.
5. La machine générera un code; saisissez-le dans l'application et celle-ci se connectera à la machine.
6. Une liste des réseaux disponibles s'affiche. Sélectionnez le réseau auquel vous souhaitez vous connecter et saisissez le mot de passe du réseau si nécessaire.
7. Lorsque la connexion WiFi est réussie, la machine indique le succès et affiche un code d'accès pour le jumelage avec l'application.
8. Sur l'écran principal de l'application, appuyez sur l'icône « hamburger » du menu, puis sur le bouton « **+** » et saisissez le code d'accès pour le jumelage.

Connexion de l'AM16 au WiFi depuis la machine

1. Appuyez sur l'icône « hamburger » du menu, sélectionnez « **Manager Menu** » (Menu de gestion) et entrez votre code NIP.
2. Faites défiler et appuyez sur le bouton « **Enter** » pour sélectionner « **WiFi** ».
3. Faites défiler et sélectionnez « **Connection Assistant** » (Assistant de connexion).
4. Faites défiler et sélectionnez « **Search Network** » (Recherche de réseau).
5. Faites défiler et sélectionnez le réseau disponible auquel vous souhaitez vous connecter.
6. Saisissez le mot de passe de votre réseau, puis appuyez sur « **OK** ».
7. La machine se connectera à votre réseau, transférera les données vers le nuage SmartConnect et affichera un code de connexion pour l'application.

Si votre machine ne se connecte pas au WiFi, consultez notre FAQ à l'adresse www.itwfoodequipment.com/smartconnect365/help pour dépanner votre connexion.

Pour jumeler et ajouter votre AMTL à l'application

Avant de procéder au jumelage, assurez-vous que votre machine est connectée au WiFi en suivant les étapes précédentes. Pour jumeler votre HobartAM16 à l'application SmartConnect :

Depuis le lave-vaisselle

1. Appuyez sur l'icône du menu pour accéder au menu de gestion de votre lave-vaisselle.
2. Sélectionnez « **Manager Menu** » (Menu de gestion) et entrez votre code NIP.
3. Faites défiler et sélectionnez « **WiFi** ».
4. Faites défiler et sélectionnez « **Access Code** » (Code d'accès).
5. Un code d'activation sera généré et affiché. Ce code est valable pendant 48 heures.

Depuis l'application

1. Appuyez sur le bouton « **+** » en bas de la liste des machines.
2. Saisissez le code d'activation qui se trouve dans le menu de gestion de l'écran tactile de la machine, puis appuyez sur « **Submit** » (Soumettre).
3. Sélectionnez votre fournisseur de services dans le menu déroulant.
4. Appuyez sur « **Finish** » (Terminé).

Votre machine apparaît alors dans la liste des machines sur l'écran d'accueil de l'application.

Pour plus d'informations sur SmartConnect, y compris les instructions d'utilisation, le dépannage de votre connexion WiFi et d'autres questions générales, consultez le guide d'aide et de FAQ sur SmartConnect à l'adresse www.itwfoodequipment.com/smartconnect365/help.

ENTRETIEN

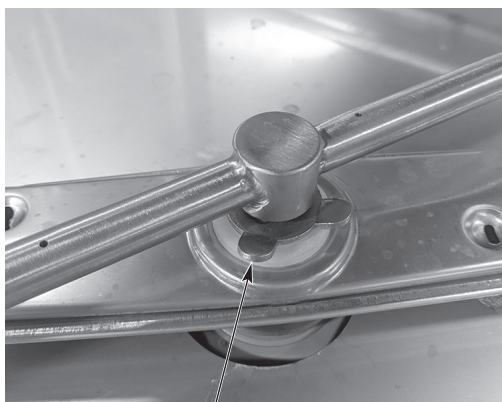
⚠ AVERTISSEMENT : Débranchez l'alimentation électrique de la machine (à la fois le lave-vaisselle et le surpresseur, le cas échéant) et suivez les procédures de verrouillage/étiquetage. Assurez-vous que tous les circuits sont déconnectés.

BRAS DE LAVAGE ET DE RINÇAGE

Les bras de lavage et de rinçage supérieurs et inférieurs de la section supérieure et les bras de lavage et de rinçage inférieurs sur la section inférieure (page 18, Fig. 17, 18) doivent tourner librement et continuer à tourner pendant quelques secondes après avoir été tournés à la main. Retirez toute obstruction causant un mauvais fonctionnement.

Si le bac ou le panier du filtre n'est pas correctement mis en place, des obstructions (telles que des particules d'aliments) peuvent boucher les buses du bras de lavage. Les bras de lavage sont facilement démontables pour le nettoyage.

Pour retirer le bras de lavage inférieur de la section supérieure, dévisser le bouton manuel (Fig. 20) et soulevez le bras de rinçage. Le bras de lavage peut être soulevé une fois le bras de rinçage retiré.



BOUTON MANUEL

Fig. 20

Les bras de lavage et de rinçage supérieurs de la section supérieure sont retirés en dévissant le bouton à main (Fig. 21) et en abaissant les deux bras ensemble. Veillez à ne pas faire tomber les bras.

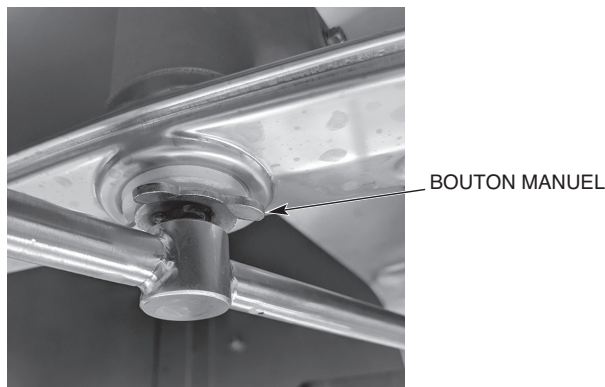


Fig. 21

Le bras de rinçage de la section inférieure peut être retiré en appuyant sur les languettes bleues du bras de rinçage et en tirant vers le haut (Fig. 22). Le bras de lavage peut être soulevé une fois que le bras de rinçage est retiré.



Fig. 22

MOTEUR(S)

Le moteur de la pompe de lavage, le moteur de la pompe de rinçage, et le moteur de la pompe de vidange sont équipés de roulements à lubrification permanente et ne nécessitent aucun entretien de lubrification.

PROBLÈMES ET SOLUTIONS

TABLEAU DES CODES D'ERREUR AVEC SOLUTIONS POSSIBLES

N° d'erreur	Texte à l'écran	Description de l'erreur	Problèmes et solutions
001	Booster temperature error. (Erreur de température du surpresseur.)	La température du surpresseur est de 239 °F/115 °C ou plus.	Appuyez sur le bouton d'alimentation et maintenez-le enfoncé pendant 5 secondes pour effacer l'erreur. La machine se vide et s'éteint. Si l'erreur persiste, contactez le service de Hobart.
002	Booster temperature error. (Erreur de température du surpresseur.)	La température du surpresseur est inférieure ou égale à 0 °C/32 °F.	Appuyez sur le bouton d'alimentation et maintenez-le enfoncé pendant 5 secondes pour effacer l'erreur. La machine se vide et s'éteint. Si l'erreur persiste, contactez le service de Hobart.
003	Booster temperature not reached during fill cycle. (La température du surpresseur n'est pas atteinte pendant le cycle de remplissage.)	Pendant le cycle de remplissage, la température du surpresseur n'a pas atteint le point de consigne dans le temps prédéterminé.	Appuyez sur le bouton ENTER pour effacer l'erreur. Si l'erreur persiste, contactez le service de Hobart.
004	Booster temperature not reached during wash cycle. (La température du surpresseur n'est pas atteinte pendant le cycle de lavage.)	Pendant le cycle de lavage, la température du surpresseur n'a pas atteint le point de consigne dans le temps prédéterminé.	Appuyez sur le bouton ENTER pour effacer l'erreur. Si l'erreur persiste, contactez le service de Hobart.
006	Wash temperature error. (Erreur de température de lavage.)	La température du réservoir de lavage est égale ou supérieure à 115 °C/239 °F.	Appuyez sur le bouton d'alimentation et maintenez-le enfoncé pendant 5 secondes pour effacer l'erreur. La machine se vide et s'éteint. Si l'erreur persiste, contactez le service de Hobart.
007	Wash temperature error. (Erreur de température de lavage.)	La température du réservoir de lavage est inférieure ou égale à 0 °C/32 °F.	Appuyez sur le bouton d'alimentation et maintenez-le enfoncé pendant 5 secondes pour effacer l'erreur. La machine se vide et s'éteint. Si l'erreur persiste, contactez le service de Hobart.
008	Wash tank temperature not reached during fill cycle. (La température du réservoir de lavage n'est pas atteinte pendant le cycle de remplissage.)	Pendant le cycle de remplissage, la température du réservoir de lavage n'a pas atteint le point de consigne dans le délai prédéterminé.	Appuyez sur le bouton ENTER pour effacer l'erreur. Si l'erreur persiste, contactez le service de Hobart.
009	Wash tank temperature not reached during wash cycle. (La température du réservoir de lavage n'est pas atteinte pendant le cycle de lavage.)	Pendant le cycle de lavage, la température du réservoir de lavage n'a pas atteint le point de consigne dans le délai prédéterminé.	Appuyez sur le bouton ENTER pour effacer l'erreur. Si l'erreur persiste, contactez le service de Hobart.
014	Booster pressure sensor failure. (Défaillance du capteur de pression du surpresseur.)	Le niveau d'eau maximum du surpresseur a été dépassé. La machine ne fonctionne pas.	Appuyez sur le bouton d'alimentation et maintenez-le enfoncé pendant 5 secondes pour effacer l'erreur. La machine se vide et s'éteint. Si l'erreur persiste, contactez le service de Hobart.

N° d'erreur	Texte à l'écran	Description de l'erreur	Problèmes et solutions
015	Booster pressure sensor failure. (Défaillance du capteur de pression du surpresseur.)	Le niveau d'eau minimum du surpresseur n'a pas été atteint. La machine ne fonctionne pas.	Appuyez sur le bouton d'alimentation et maintenez-le enfoncé pendant 5 secondes pour effacer l'erreur. La machine se vide et s'éteint. Si l'erreur persiste, contactez le service de Hobart.
016	Wash tank pressure sensor failure. (Défaillance du capteur de pression du réservoir de lavage.)	Le niveau d'eau maximum du réservoir de lavage a été dépassé. La machine ne fonctionne pas.	Appuyez sur le bouton d'alimentation et maintenez-le enfoncé pendant 5 secondes pour effacer l'erreur. La machine se vide et s'éteint. Si l'erreur persiste, contactez le service de Hobart.
017	Wash tank pressure sensor failure. (Défaillance du capteur de pression du réservoir de lavage.)	Le niveau d'eau minimum du réservoir de lavage n'a pas été atteint. La machine ne fonctionne pas.	Appuyez sur le bouton d'alimentation et maintenez-le enfoncé pendant 5 secondes pour effacer l'erreur. La machine se vide et s'éteint. Si l'erreur persiste, contactez le service de Hobart.
018	Wash tank water level is too high. (Le niveau d'eau du réservoir de lavage est trop élevé.)	Le niveau d'eau du réservoir de lavage est supérieur à la limite supérieure.	Appuyez sur le bouton ENTER si elle s'affiche pour effacer l'erreur. Si le bouton ENTER ne s'affiche pas, appuyez sur le bouton d'alimentation pendant 5 secondes. L'appareil se vide et s'éteint. Si l'erreur persiste, contactez le service de Hobart.
019	Tank strainer blocked. (Le filtre du réservoir est bloqué.) Retirez le filtre, nettoyez-le et remettez-le en place.	Le filtre du réservoir est bloqué.	Retirez, nettoyez et remplacez le bac à filtre. Appuyez sur le bouton ENTER pour effacer l'erreur. La machine se vide et s'éteint si le niveau d'eau est bas. Si le niveau d'eau est revenu à la normale, la machine s'éteint, mais ne se vide pas. Mettez la machine en marche pour continuer à fonctionner.
020	Wash tank pressure sensor error. (Erreur du capteur de pression du réservoir de lavage.) Vidangez et redémarrez la machine.	Le niveau d'eau du réservoir de lavage n'a pas augmenté de la quantité prévue après avoir été rempli par le cycle de rinçage.	Appuyez sur le bouton ENTER pour effacer l'erreur. La machine se vide et efface l'erreur. S'assurer que le réservoir est propre. Si l'erreur persiste, contactez le service de Hobart.
021	Drain hose is clogged. (Le tuyau de vidange est bouché.) Nettoyez le tuyau de vidange et vidangez à nouveau la machine.	Une quantité importante d'eau reste dans le réservoir de lavage après le cycle de vidange.	Assurez-vous que la machine est hors tension et que l'eau de lavage a refroidi. Vérifiez que le tuyau vertical et le fond du réservoir de lavage sont exempts de débris. Nettoyez le tuyau de vidange et videz la machine. Vérifiez que le tuyau de vidange n'est pas plié et qu'il est correctement installé. Si l'erreur reste affichée à l'écran, appuyez sur le bouton d'alimentation et maintenez-le enfoncé pendant 5 secondes pour effacer l'erreur. La machine se vide et s'éteint.

N° d'erreur	Texte à l'écran	Description de l'erreur	Problèmes et solutions
022	Drain hose is clogged. (Le tuyau de vidange est bouché.) Nettoyez le tuyau de vidange.	Pendant le cycle de lavage, le niveau d'eau n'est pas maintenu à un niveau normal.	Assurez-vous que la machine est hors tension et que l'eau de lavage a refroidi. Vérifiez que le tuyau vertical et le fond du réservoir de lavage sont exempts de débris. Nettoyez le tuyau de vidange et videz la machine. Vérifiez que le tuyau de vidange n'est pas plié et qu'il est correctement installé. Si l'erreur reste à l'écran, appuyez sur le bouton ENTER pour l'effacer.
029	Program interrupted. (Programme interrompu.) Fermez la porte.	La porte est ouverte pendant l'opération de la machine.	Fermez la porte et assurez-vous que la porte est bien en place. L'opération en cours reprend. Si l'erreur persiste, contactez le service de Hobart.
032	Fill error, inspect incoming water line. (Erreur de remplissage, inspectez la ligne d'eau entrante.)	Le niveau d'eau du surpresseur n'a pas atteint le niveau approprié dans le temps imparti.	Assurez-vous que l'alimentation en eau est ouverte et que le tuyau de remplissage n'est pas plié. Vérifiez que la pression de l'eau est de 15 à 65 psi. Appuyez sur le bouton ENTER pour effacer l'erreur. Si l'erreur persiste, contactez le service de Hobart.
033	Fill valve error. (Erreur de la valve de remplissage.)	La vanne de remplissage a été active pendant plus que le temps de remplissage maximum autorisé.	Assurez-vous que l'alimentation en eau est ouverte et que le tuyau de remplissage n'est pas plié. Vérifiez que la pression de l'eau est de 15 à 65 psi. Appuyez sur le bouton ENTER pour effacer l'erreur. Si l'erreur persiste, coupez l'alimentation en eau et contactez le service après-vente de Hobart.
035	Ensure tank strainer is locked in place. (Assurez-vous que le filtre du réservoir est verrouillé en place.)	Le panier à déchets interne n'est pas inséré, ou il n'est pas en position de verrouillage.	Assurez-vous que le panier à déchets est correctement installé et en position verrouillée. La flèche du panier à déchets doit être alignée avec la flèche du plateau du filtre. Si le panier est correctement installé, l'erreur s'efface automatiquement. (Voir page 15, Fig. 13)
038	Incoming power to machine is too high. (La tension d'alimentation de la machine est trop élevée.) La machine est hors tension.	La tension entrante est supérieure à la tension maximale requise pour la machine.	La tension entrante doit être égale ou inférieure à la tension requise pour la machine (voir la plaque signalétique de la machine). Coupez l'alimentation du disjoncteur et assurez-vous que l'unité est connectée à la tension d'alimentation appropriée. Appuyez sur Enter (Entrer) pour effacer l'erreur.
039	Fill cycle interrupted. (Cycle de remplissage interrompu.) Fermez la porte.	La porte est ouverte pendant le cycle de remplissage.	Fermez la porte et assurez-vous que la porte est bien en place. Le cycle de remplissage reprend. Si l'erreur persiste, contactez le service de Hobart.
049	Communication between the controls has been interrupted. (La communication entre les contrôles a été interrompue.)	Interruption de la communication entre la carte de contrôle et l'écran tactile.	La communication entre les commandes devrait être automatiquement rétablie. Si le problème persiste, contactez le service de Hobart.

N° d'erreur	Texte à l'écran	Description de l'erreur	Problèmes et solutions
052	Drain hose is clogged. (Le tuyau de vidange est bouché.)	Le niveau d'eau du réservoir de lavage est supérieur à la limite supérieure.	Assurez-vous que la machine est hors tension et que l'eau de lavage a refroidi. Vérifiez que le tuyau vertical et le fond du réservoir de lavage sont exempts de débris. Nettoyez le tuyau de vidange et videz la machine. Vérifiez que le tuyau de vidange n'est pas plié et qu'il est correctement installé. Si l'erreur reste affichée à l'écran, appuyez sur le bouton d'alimentation et maintenez-le enfoncé pendant 5 secondes pour effacer l'erreur. La machine se vide et s'éteint.
057	Wash tank is filling. (Le réservoir de lavage se remplit.) Le cycle commencera lorsque l'eau sera remplie.	Le niveau d'eau du réservoir de lavage est bas au début du cycle de lavage.	La machine se remplit automatiquement pendant que l'erreur se produit. Une fois le niveau d'eau correct atteint, le cycle de lavage commence.
059	Cloud connection not available. (La connexion au nuage n'est pas disponible.)	Si le WiFi est connecté, les données ne peuvent pas être envoyées sur le nuage.	Tapez sur AIDE dans l'application Smart Connect et consultez le dépannage dans la FAQ pour obtenir des conseils.
070	Minimum wash temperature not reached. (La température minimale de lavage n'est pas atteinte.)	La température de lavage n'a pas atteint le point de consigne minimum requis.	Appuyez sur le bouton ENTER pour effacer l'erreur. Si l'erreur persiste, contactez le service de Hobart.
071	Minimum rinse temperature not reached. (La température minimale de rinçage n'est pas atteinte.)	La température de rinçage n'a pas atteint le point de consigne minimum requis.	Appuyez sur le bouton ENTER pour effacer l'erreur. Si l'erreur persiste, contactez le service de Hobart.
080	Delime required. (Détartrage nécessaire.) Lancez le cycle de détartrage.	Si le verrouillage du détartrage est activé, la machine se verrouillera en raison du rappel de détartrage ignoré 10 fois.	Appuyez sur le bouton ENTER et lancer un cycle de détartrage pour réinitialiser le rappel de détartrage.
081	Final rinse temperature too high. (La température du rinçage final est trop élevée.)	La température du rinçage final est de 115 °C/239 °F ou plus.	Appuyez sur le bouton d'alimentation et maintenez-le enfoncé pendant 5 secondes pour effacer l'erreur. La machine se vide et s'éteint. Si l'erreur persiste, contactez le service de Hobart.
082	Final rinse temperature too low. (La température du rinçage final est trop basse.)	La température du rinçage final est de 0 °C/32 °F ou moins.	Appuyez sur le bouton d'alimentation et maintenez-le enfoncé pendant 5 secondes pour effacer l'erreur. La machine se vide et s'éteint. Si l'erreur persiste, contactez le service de Hobart.
083	Minimum final rinse temperature not reached. (La température minimale de rinçage final n'est pas atteinte.)	La température de rinçage final n'a pas atteint la température minimale de rinçage final après trois cycles consécutifs.	Appuyez sur le bouton ENTER pour effacer l'erreur. Si l'erreur persiste, contactez le service de Hobart.

N° d'erreur	Texte à l'écran	Description de l'erreur	Problèmes et solutions
084	Minimum final rinse temperature not reached. (La température minimale de rinçage final n'est pas atteinte.) Machine verrouillée.	Si le verrouillage du rinçage final est activé et que la température de rinçage final n'a pas atteint la température minimale de rinçage final après trois cycles consécutifs, la machine se verrouille.	Appuyez sur le bouton d'alimentation et maintenez-le enfoncé pendant 5 secondes pour effacer l'erreur. La machine se vide et s'éteint. Si l'erreur persiste, contactez le service de Hobart.
085	Wash tank overtemp tripped. (La surchauffe du réservoir de lavage s'est déclenchée.)	La surchauffe du réservoir de lavage a été déclenchée.	L'erreur ne peut pas être effacée tant que la surchauffe n'a pas été réinitialisée. Contactez le service de l'entretien de Hobart.
086	Booster overtemp tripped. (La surchauffe du surpresseur s'est déclenchée.)	La surchauffe du surpresseur a été déclenchée.	L'erreur ne peut pas être effacée tant que la surchauffe n'a pas été réinitialisée. Contactez le service de l'entretien de Hobart.
087	Minimum final rinse temperature not reached after repeating cycle. (La température minimale de rinçage final n'est pas atteinte après avoir répété le cycle.)	La température du rinçage final est inférieure au point de réglage.	Appuyez sur le bouton d'alimentation et maintenez-le enfoncé pendant 5 secondes pour effacer l'erreur. La machine se vide et s'éteint. Si l'erreur persiste, contactez le service de Hobart.
088	Wash tank heater contactor error. (Erreur du contacteur de chauffage du réservoir de lavage.) Contactez le service après-vente.	Le chauffage du réservoir de lavage reste allumé tout en ignorant l'ordre du logiciel de l'éteindre.	La machine effectue un cycle de remplissage et de vidange pour protéger l'élément chauffant. Cette erreur ne peut pas être corrigée par l'utilisateur. Coupez l'alimentation du disjoncteur et contactez le service de Hobart.
089	Booster heater contactor error. (Erreur du contacteur du chauffage d'appoint.) Contactez le service après-vente.	Le chauffage d'appoint reste allumé tout en ignorant l'ordre du logiciel de l'éteindre.	La machine effectue un cycle de remplissage et de vidange pour protéger l'élément chauffant. Cette erreur ne peut pas être corrigée par l'utilisateur. Coupez l'alimentation du disjoncteur et contactez le service de Hobart.

ANOMALIE	CAUSE ÉVENTUELLE
Pas de fonctionnement de la machine.	<ol style="list-style-type: none"> 1. Machine éteinte, mettre la machine en marche. 2. Fusible grillé ou disjoncteur déclenché au niveau de l'alimentation électrique.
La vaisselle n'est pas propre.	<ol style="list-style-type: none"> 1. Perte de pression d'eau due à l'obstruction de la pompe. ▲ AVERTISSEMENT : Débranchez l'alimentation électrique (du lave-vaisselle et du surpresseur, le cas échéant) et videz le réservoir. Retirez le filtre et le tuyau vertical et vérifiez que la pompe et la prise d'eau de vidange ne sont pas obstruées. 2. Température de l'eau inadéquate. Contactez le service de Hobart après-vente pour un réglage ou une réparation. 3. Dépôts minéraux excessifs dans tout le système de lavage et de rinçage. Un détartrage peut être nécessaire, voir page 19. 4. Vérifiez les bras de lavage et de rinçage pour vous assurer qu'ils ne sont pas obstrués et qu'ils tournent correctement. 5. Les filtres sont obstrués, ce qui entraîne une alimentation en eau insuffisante de la pompe; nettoyez la machine conformément au paragraphe Nettoyage, page 18. 6. Assurez-vous que le distributeur de produits chimiques fonctionne correctement. 7. Excès de saleté; frottez les plats avant le cycle 8. Chargement incorrect de la grille; reportez-vous à la section Préparation et lavage de la vaisselle, pages 15, 17.
Taches sur l'argenterie, les verres et la vaisselle.	<ol style="list-style-type: none"> 1. Des grilles mal chargées. 2. Température de l'eau de rinçage incorrecte. 3. Perte de pression d'eau due à l'obstruction de la pompe. ▲ AVERTISSEMENT : Débranchez l'alimentation électrique (du lave-vaisselle et du surpresseur, le cas échéant) et videz le réservoir. Vérifiez qu'il n'y a pas d'obstruction à l'entrée de la pompe. 4. Eau excessivement dure. 5. Détergent inadapté au type d'eau. 6. Additif de rinçage incorrect pour le type d'eau. 7. Concentration incorrecte du détergent et/ou de l'additif de rinçage. 8. Salissures excessives; frottez les plats avant le cycle. Assurez-vous que le réservoir de lavage est vidée et nettoyée comme il se doit.
Rinçage inadéquat ou température trop basse de l'eau de rinçage.	<ol style="list-style-type: none"> 1. Dépôts minéraux excessifs dans le système de lavage et de rinçage. Un détartrage peut être nécessaire, voir page 19. 2. Température de l'eau entrante au surchauffeur inférieure à 43,3 °C (110 °F). La machine prolongera automatiquement le temps de lavage jusqu'à ce que le surchauffeur se réchauffe. 3. Assurez-vous que les bras de rinçage tournent librement.
Une vanne qui fuit.	<ol style="list-style-type: none"> 1. Si le raccord du tuyau à la vanne fuit, vérifiez le joint du tuyau pour vous assurer qu'il est bien en place et qu'il n'est ni usé ni coupé. 2. Si l'électrovanne fonctionne mal (fuites, absence d'ouverture ou de fermeture), contactez le service de Hobart.
Faible ou pas de chauffage du réservoir de lavage.	<ol style="list-style-type: none"> 1. Veillez à ce que le niveau d'eau soit suffisant dans le réservoir. 2. Assurez-vous que l'élément chauffant est propre et exempt de calcaire excessif.
Pas de remplissage ou remplissage lent.	<p>Remarque : Le temps de remplissage peut atteindre 25 minutes.</p> <ol style="list-style-type: none"> 1. L'alimentation en eau est peut-être coupée; vérifiez que la vanne d'alimentation en eau chaude est ouverte. 2. Le filtre est sale au niveau du raccord du tuyau de remplissage, ce qui réduit le débit d'eau. Coupez l'alimentation en eau chaude, retirez le tuyau de remplissage et nettoyez le filtre. Remontez le tout.

SERVICE

PIÈCES CONSOMMABLES DE L'AMTL

Les pièces du lave-vaisselle AMTL ci-dessous sont consommables par nature et peuvent ne pas être couvertes par la garantie de Hobart. Pour consulter la garantie produit de Hobart, reportez-vous à <https://www.hobartservice.com/service-plans/hobart-product-warranty>.

LISTE DES PIÈCES CONSOMMABLES DE L'AMTL

Numéro de pièce	Description	Qté.
04-016320-00001	Joint d'étanchéité de la porte	1
01-539624-00001	Guide – bras de lavage	2
00-886610	Trousse, bouchon de bras de lavage	1
00-775933-00003	Bague de retenue	2
00-315191	Grille égouttoir	AR
00-315193	Grille combinée	AR

Contactez votre bureau local de service agréé de Hobart pour toute réparation ou tout réglage nécessaire sur cet équipement. Des contrats de service à long terme sont disponibles pour cet appareil et d'autres produits de Hobart. Appelez le 1-888-4HOBART pour un service de Hobart 24 heures sur 24.

INSTRUCTIONS
MODELS
INSTRUCTIONS
EMPLOIS
INSTRUCTIONS

LAVAVAJILLAS AMTL

MODELO

AMTL



701 S. RIDGE AVENUE
TROY, OHIO 45374-0001

937 332-3000

www.hobartcorp.com

FORM 41219 (Septiembre 2022)

ÍNDICE

GENERAL	4
INSTALACIÓN	5
Desembalaje	5
Códigos de instalación	5
Ubicación	6
Conexiones de las tuberías	6
Requisitos del agua	6
Conexión del suministro de agua	7
Conexión del desagüe	8
Requisitos de ventilación	8
Cálculo del flujo de los gases de escape	8
Tabla A: Disipación de calor	9
Conexiones eléctricas	10
Conexiones de equipos	11
Control del ventilador de la ventilación	11
Dispensadores de detergente y abrillantador (suministrados e instalados por terceros)	12
Instalación de las tuberías	12
Dispensador de detergente	12
Dispensador de abrillantador	13
Dispensadores de detergente y abrillantador - conexiones de equipos	13
Dispensador de detergente	13
Dispensador de abrillantador	14
FUNCIONAMIENTO	15
Preparación	15
Lavado	17
LIMPIEZA	18
Instrucciones para eliminar el sarro	19
Proceso manual de eliminación de sarro	19
Qué hacer y qué no hacer con su lavavajillas nuevo de Hobart	20
PROGRAMACIÓN	21
Menú administrador	21
Parámetros del menú administrador	21
Aplicación Hobart SmartConnect	23
Conexión	23
MANTENIMIENTO	25
Brazos de lavado y enjuague	25
Motor(es)	26
SOLUCIÓN DE PROBLEMAS	27
Tabla de códigos de error con posibles soluciones	27
SERVICIO	33
Piezas fungibles del AMTL	33

Instalación, funcionamiento y cuidado del LAVAVAJILLAS AMTL

GUARDE ESTAS INSTRUCCIONES

GENERAL

Los modelos AMTL sólo pueden configurarse para el funcionamiento en línea recta y se enviarán de fábrica en la configuración en línea recta.

El lavavajillas AMTL está diseñado para funcionar sólo en modo de desinfección con agua caliente (designado por los requisitos de temperatura mínima de la NSF de 65,6 °C (150 °F) de lavado y 82,2 °C (180 °F) de enjuague. Estas temperaturas se pueden encontrar en la etiqueta situada encima de la placa de datos en la esquina inferior derecha del panel delantero).

El número de serie se encuentra en la placa de datos de la máquina situada en la parte inferior derecha del panel delantero.

El motor de la bomba de lavado tiene una potencia nominal de 2 caballos de fuerza y cuenta con protección térmica contra sobrecargas.

La línea de llenado incluye un espacio de aire en todos los modelos para evitar cualquier flujo inverso de agua del lavavajillas al suministro de agua potable. La unidad, una vez encendida, llena el tanque de lavado hasta el nivel adecuado y deja de llenarlo automáticamente una vez alcanzado el nivel. Un transductor de presión lee el nivel de agua en el tanque de lavado y desactiva la calefacción eléctrica del tanque si el nivel de agua es demasiado bajo. Cuando el agua vuelve al nivel adecuado, el circuito de calefacción vuelve a funcionar.

El desagüe automático con bomba y el sistema de enjuague con bomba son estándar. Las zonas de lavado superior e inferior tienen cada una sus propios sistemas de enjuague con bomba independientes para minimizar el uso de agua y energía.

Todos los lavavajillas AMTL están equipados con un calentador de agua eléctrico de 12,25 kW. El sobrecalentador de agua está diseñado para mantener una temperatura mínima de enjuague final de 82,2 °C (180 °F) siempre que el agua entrante sea de al menos 43,3 °C (110 °F).

El AMTL utiliza un sistema de colador de dos etapas. Esto recoge automáticamente la suciedad de los alimentos más grandes en una cesta de colador mientras vacía los restos disueltos a través del desagüe durante cada ciclo de lavado.

INSTALACIÓN

DESEMBALAJE

Inmediatamente después de desembalar el lavavajillas, verifique si hay posibles daños debido a la transportación. Si detecta alguno, guarde el material de embalaje y comuníquese con el transportista dentro de los 5 días siguientes al despacho.

NOTA: Tenga cuidado al utilizar un montacargas para retirar la máquina de la tarima. NO utilice el asa de elevación de la puerta para mover la máquina, ya que causará problemas de elevación de la puerta.

Antes de instalar, verifique que el servicio eléctrico coincida con las especificaciones de la placa de datos de la máquina. La placa de datos del lavavajillas se encuentra en la esquina inferior derecha de la máquina.

INSTALACIÓN DE LOS PIES AJUSTABLES DE ACERO INOXIDABLE

Los pies ajustables de acero inoxidable se envían sueltos situados en la zona de lavado inferior del lavavajillas y deben instalarse en las patas antes de la instalación. Nota: Las máquinas se envían con pies de plástico instalados en las patas y deben ser sustituidos por los pies de acero inoxidable que se envían con la máquina.

Levante o incline la máquina, desenrosque y retire los pies de plástico y deséchelos. Instale los pies de acero inoxidable enroscando los pies en las patas.

CÓDIGOS DE INSTALACIÓN

La instalación debe realizarse de acuerdo con los códigos estatales y locales y el Código Eléctrico Nacional ANSI/NFPA70 (última edición). En Canadá, el código de instalación es el CSA 22.1 (última edición).

UBICACIÓN

Antes de finalizar la ubicación, asegúrese de que se ha tenido en cuenta el conducto eléctrico, el suministro de agua, la conexión de drenaje, la ventilación, la tabulación, el sistema de alimentación de productos químicos y el espacio libre adecuado para abrir la puerta.

El lavavajillas debe estar nivelado antes de realizar cualquier conexión. Gire los pies ajustables (Fig. 1) según sea necesario para nivelar la máquina y ajustarla a la altura deseada.

El borde de la mesa de la vajilla que sobresale del tanque de lavado AMTL debe girarse hacia abajo y colocarse sobre la parte superior del tanque del lavavajillas (Fig. 2). Aplique un sellador aprobado por la NSF entre el saliente de la mesa de lavado y la pared interior del tanque de lavado para evitar fugas (Fig. 2). Fije las mesas de platos a la pared interior del tanque de lavado con tornillos de cabeza de cercha o remaches no oxidables (Fig. 2).

Se debe dejar un espacio libre de 76,2 cm (30 in) en el frente y 61 cm (24 in) en el lado derecho por 86,4 cm (34 in) sobre el piso terminado para el mantenimiento.

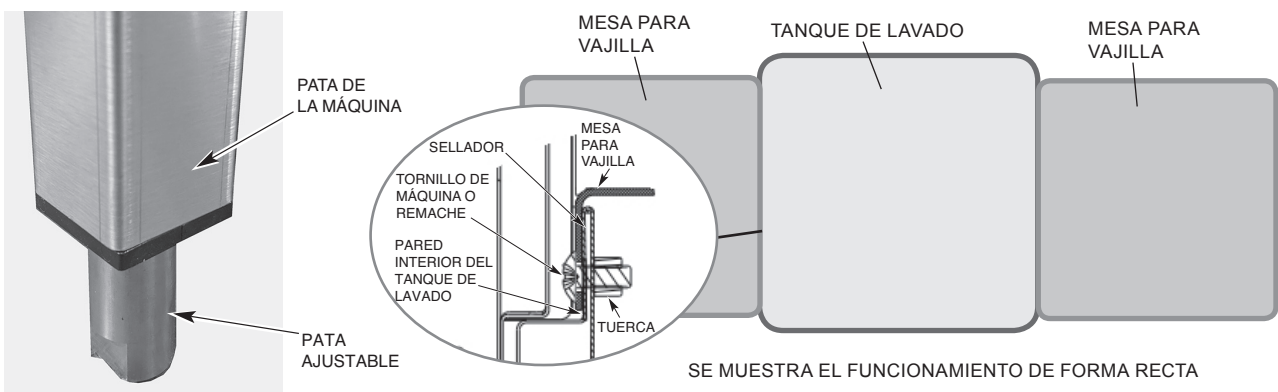


Fig. 1

Fig. 2

CONEXIONES DE LAS TUBERÍAS

⚠ ADVERTENCIA Las conexiones de plomería deben cumplir con las normas sanitarias y de seguridad aplicables y los códigos de plomería.

Requisitos del agua

Una calidad de agua adecuada puede mejorar el rendimiento del lavado de la vajilla reduciendo las manchas, aumentando la eficacia de la mano de obra y prolongando la vida útil del equipo. Las condiciones del agua varían de un lugar a otro. El tratamiento adecuado del agua recomendado para un uso eficaz y eficiente de este equipo también variará en función de las condiciones locales del agua. Solicite a su proveedor de agua municipal detalles sobre las condiciones locales del agua antes de la instalación.

La dureza del agua recomendada es de 3 granos de dureza por galón o menos. Una mayor dureza puede provocar una formación excesiva de depósito de sarro. La dureza del agua superior a 3 granos por galón requiere un tratamiento del agua. Se ha demostrado que el tratamiento del agua reduce los costos asociados a la limpieza de la máquina, reduce el sarro del lavavajillas y reduce el uso de detergente en el lavavajillas. El nivel de cloro no debe superar las 50 ppm.

NOTA: Los niveles altos de hierro en el suministro de agua pueden causar manchas y pueden requerir un filtro para el hierro. Los altos niveles de cloro en el suministro de agua pueden causar corrosión por picaduras y pueden requerir un sistema de eliminación de cloro. Póngase en contacto con su profesional local de tratamiento de agua para el tratamiento adecuado del agua.

Los sedimentos pueden requerir un filtro de partículas. Los sólidos disueltos pueden requerir un tratamiento del agua, como un ablandador de agua, un sistema de ósmosis inversa, etc. Póngase en contacto con su profesional de tratamiento de agua local para el tratamiento adecuado del agua.

Si una inspección del lavavajillas o del sobrecalentador revela una acumulación de sarro después de que el equipo haya estado en servicio, se recomienda el tratamiento del agua. Si ya hay un ablandador de agua, asegúrese de que haya un nivel suficiente de sal. Póngase en contacto con su oficina de servicio Hobart para obtener recomendaciones específicas.

Conexión del suministro de agua

El plomero que conecte esta máquina es responsable de asegurarse de que las líneas de agua se LIMPIAN BIEN ANTES de conectarlas al lavavajillas. Este "lavado" es necesario para eliminar todas las materias extrañas, como las virutas (resultantes del corte o el roscado de las tuberías), el compuesto para juntas de las tuberías o, si se utilizan accesorios soldados, los trozos de soldadura o los recortes de la tubería. Los residuos, si no se eliminan, pueden alojarse en los componentes de plomería del lavavajillas y hacerlos inoperantes. Las válvulas manuales o las electroválvulas obstruidas por materias extrañas y cualquier gasto derivado de esta obstrucción NO son responsabilidad del fabricante y los costos de reparación asociados no están cubiertos por la garantía.

Los requisitos de suministro de agua son los siguientes:

REQUISITOS DEL SUMINISTRO DE AGUA

Modelo	Modo de desinfección	Conexión	Suministro de agua		
			Mínimo	Máximo	Recomendado
AMTL	Desinfección con agua caliente	Agua caliente	43 °C (110 °F)	NA	49 °C (120 °F)

La presión del agua que entra al lavavajillas es de 15 a 65 PSIG. Si las presiones son superiores a 65 PSIG debe instalarse una válvula reguladora de presión en la línea de agua que va al lavavajillas (por terceros). Si la presión de flujo es inferior a 15 psi, puede producirse un funcionamiento incorrecto de la máquina. Todos los modelos AMTL están equipados con sistemas de enjuague con bomba; por lo tanto, no se requiere un manómetro de agua y no se suministra con la máquina.

NOTA: El regulador de presión de agua debe tener un baipás de alivio. Si no se utiliza el tipo de regulador de presión adecuado, se puede dañar la unidad.

Debe instalarse una válvula de cierre manual (no suministrada) antes de la manguera de llenado para facilitar el mantenimiento de la máquina. Se recomienda instalar un filtro de línea (no suministrado) en la línea de suministro entre la válvula de cierre manual (no suministrada) y el punto de conexión en la máquina. Todas las máquinas se envían de forma estándar con una manguera de llenado trenzada de acero inoxidable de 244 cm (96 in) de longitud con un accesorio de manguera de jardín hembra de 3/4 pulgada. Realice las conexiones de plomería con tuberías de cobre de 1/2 pulgada como mínimo (se recomienda 3/4 pulgada), con un accesorio de manguera de jardín macho de 3/4 pulgada (no suministrado).

Conexión del desagüe

Se suministra una manguera de desagüe de 1,6 cm (5/8 in) de diámetro interior y 2 m (6,5 pies) de longitud, que se envía suelta en la zona de lavado inferior de la máquina. Conecte el extremo con la abrazadera al racor situado en la parte inferior trasera de la máquina (Fig. 3). La manguera de desagüe debe estar firmemente conectada a un desagüe. Tenga cuidado de no doblar la manguera. El desagüe debe tener una capacidad mínima de caudal de 56,8 litros (15 galones) por minuto. La altura de la manguera de desagüe no puede superar los 101,6 cm (40 in) sobre el suelo acabado.

Si el código exige una trampa de grasa, debe tener una capacidad de flujo mínima de 56,8 l (15 galones) por minuto.

El kit de entrehierro de desagüe bombeado está disponible utilizando el código de accesorio de ventas PUMPDRN-AIRGAP o el número de pieza del kit de servicio 00-562492. Consulte las instrucciones de instalación incluidas en el kit.

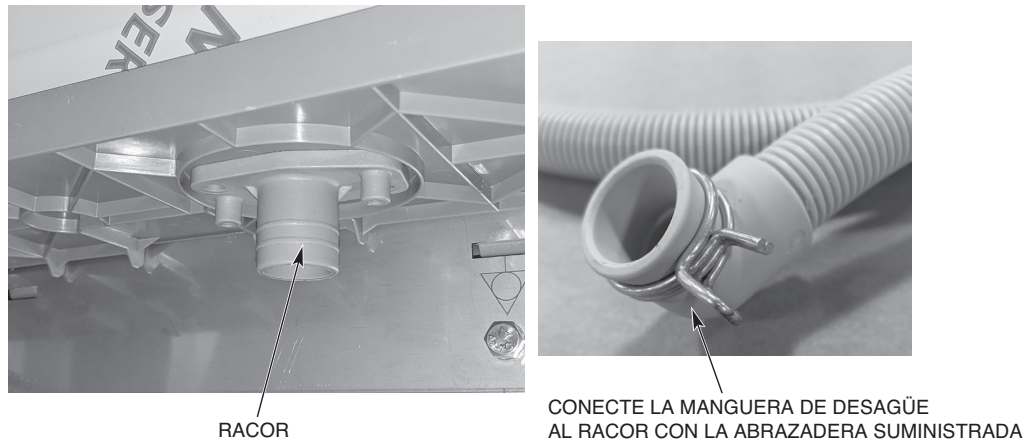


Fig. 3

REQUISITOS DE VENTILACIÓN

NOTA: Cualquier campana extractora comercial listada y etiquetada de fábrica, probada de acuerdo con la norma UL 710 por un laboratorio de pruebas reconocido a nivel nacional, debe ser instalada de acuerdo con los términos de su listado y las instrucciones de instalación del fabricante.

Cálculo del flujo de los gases de escape

Basado en el Código mecánico internacional 2021.

El flujo de aire neto mínimo para las campanas de tipo II utilizadas para los aparatos de lavado de vajilla será de 100 cfm por pie lineal de longitud de la campana. La cantidad neta de aire de escape se calculará restando cualquier flujo de aire suministrado directamente a una cavidad de la campana del caudal total de escape de una campana.

Según 507,3 del IMC del 2021, las campanas de tipo II no son necesarias cuando la carga de calor y humedad se integra al diseño del sistema de climatización. Refiérase a la Tabla A para la disipación de calor o la ganancia de calor al espacio.

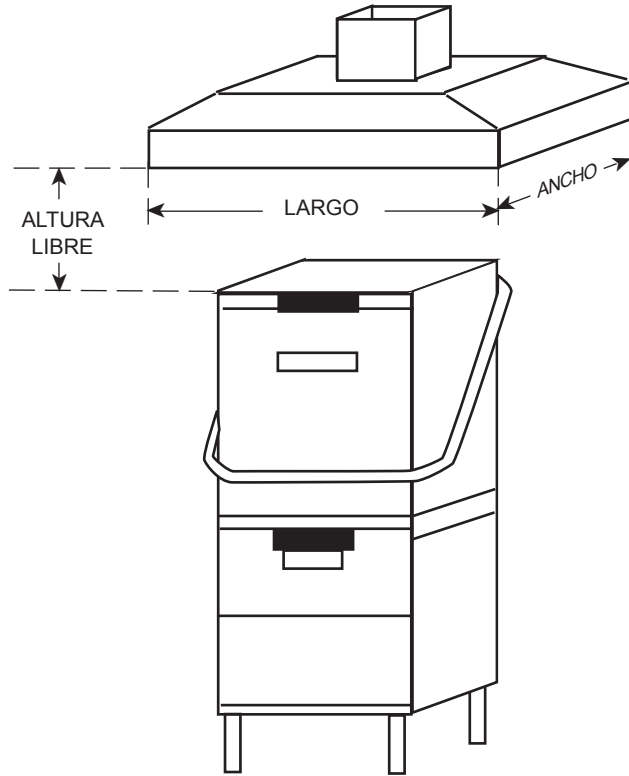


Fig. 4

TABLA A: DISIPACIÓN DE CALOR

	Modelo	Calefacción eléctrica	Sobrecalentador eléctrico	Calor latente (BTU/HR)	Calor sensible (BTU/HR)
Desinfección con agua caliente	AMTL	X	X	9600	4900

- Suposiciones:
1. Las máquinas funcionan al 70% cada hora mientras están en uso.
 2. Los valores indicados son el calor que entra en el local.
 3. El 70% de la producción de calor es latente, el 30% es sensible.

CONEXIONES ELÉCTRICAS

⚠ ADVERTENCIA Las conexiones eléctricas y las que van a tierra deben cumplir con las secciones correspondientes del Código Nacional de Electricidad NFPA 70 (en su última edición) o con la normativa eléctrica local.

⚠ ADVERTENCIA Desconecte la energía eléctrica de la máquina (tanto del lavavajillas como del sobrecalentador, si es aplicable) y siga los procedimientos de bloqueo/ etiquetado. Asegúrese de que todos los circuitos están desconectados.

Consulte el diagrama de cableado situado detrás del panel frontal inferior y la placa de datos de la máquina para conocer los requisitos de tamaño de servicio al conectar el lavavajillas. Consulte también los datos eléctricos que se muestran a continuación.

Para acceder a la zona de controles, retire el panel frontal inferior al retirar los dos tornillos situados en la parte inferior del panel y levántelo. Afloje el tornillo situado en la esquina superior derecha del panel recinto de controles y ábralo hacia la izquierda. La conexión del servicio eléctrico del lavavajillas se puede realizar en el agujero ciego de 1,9 o 2,54 cm (3/4 o 1 in) situado debajo de la máquina en la parte delantera derecha.

DATOS ELÉCTRICOS

Modelos	Voltios / Hz / Fase	Calentamiento del tanque	Ampacidad mínima del circuito Dispositivo de protección máximo AMPS		
			TB1 Sobrecalentador eléctrico y controles	TB2 Calefacción eléctrica de sumidero	Conexión eléctrica de un solo punto Lavavajillas trifásico y Sobrecalentador
AMTL	208 - 240 / 60 / 1	Eléctrico	60	50	
	208 - 240 / 60 / 3	Eléctrico	40	25	60

Creado de acuerdo con el código eléctrico nacional, NFPA 70 (última edición).

Debe instalarse un interruptor de desconexión con fusibles o un disyuntor (suministrado por el cliente) en la(s) línea(s) de servicio eléctrico que abastece(n) a este lavavajillas y debe cumplir con los requisitos de su código eléctrico local.

Instale el soporte de acero inoxidable, que se envía suelto con la máquina ubicada en la zona de lavado inferior, para sujetar el suministro eléctrico entrante. Fije el soporte a la parte inferior derecha de la máquina utilizando los dos pernos suministrados con el soporte (Fig. 5).



Fig. 5

El AMTL se suministra de forma estándar con un suministro de tensión trifásico y una configuración eléctrica de un solo punto. El suministro eléctrico estándar de un solo punto se conecta al bloque de terminales TB1 en el área de controles (Fig. 6). La máquina debe estar conectada a tierra de acuerdo con los códigos eléctricos; se proporciona un terminal de conexión a tierra.

Para convertir un modelo AMTL a una configuración eléctrica de doble punto o para convertirlo de trifásico a monofásico, consulte las instrucciones F-45882 situadas detrás del panel frontal inferior.

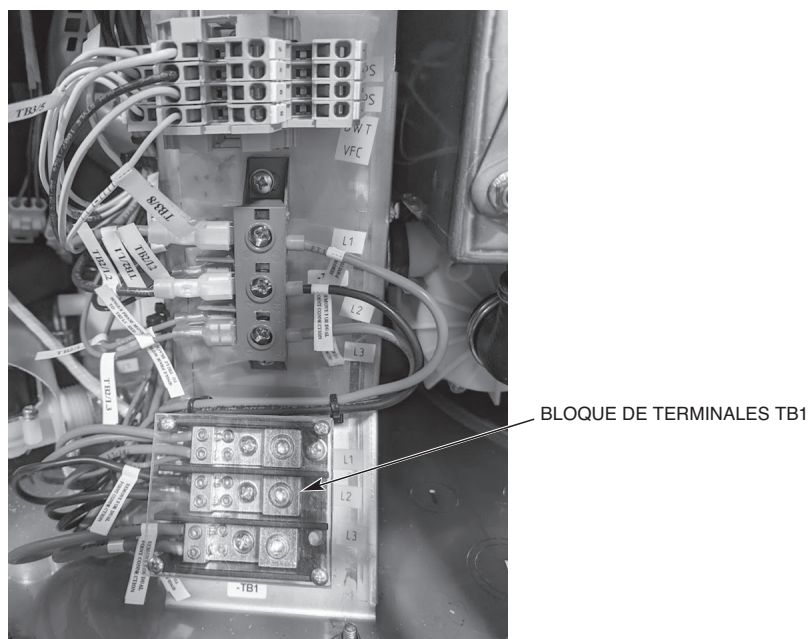


Fig. 6

CONEXIONES DE EQUIPOS

⚠ ADVERTENCIA Las conexiones eléctricas y las que van a tierra deben cumplir con las secciones correspondientes del Código Nacional de Electricidad NFPA 70 (en su última edición) o con la normativa eléctrica local.

⚠ ADVERTENCIA Desconecte la energía eléctrica de la máquina (tanto del lavavajillas como del sobrecalentador, si es aplicable) y siga los procedimientos de bloqueo/etiquetado. Asegúrese de que todos los circuitos están desconectados.

Control del ventilador de la ventilación

La función de control del ventilador de la ventilación es estándar en todos los modelos AMTL. El relé de control del ventilador de la ventilación sólo proporciona contactos de conmutación y no proporciona energía al motor del ventilador de ventilación. El valor nominal de los contactos del relé de control del ventilador en los terminales VFC-7 y VFC-8 es de 1,5 amperios a la tensión de alimentación indicada en la placa. Cuando el lavavajillas está conectado al ventilador de ventilación, éste se enciende cuando el lavavajillas está encendido y se apaga cuando el lavavajillas está apagado.

DISPENSADORES DE DETERGENTE Y ABRILLANTADOR (SUMINISTRADOS E INSTALADOS POR TERCEROS)

Instalación de las tuberías

Los dispensadores de detergente y abrillantador no suministrados por Hobart deben tener todas las conexiones selladas contra fugas.

Los lavavajillas AMTL utilizan 2,3 l (0,62 galones) de agua de enjuague por cesta para el nivel superior e inferior de forma independiente. Esta información se utiliza al ajustar las bombas de detergente y abrillantador.

NOTA: Todos los modelos AMTL utilizan un sistema de enjuague por bombeo; no se requiere un manómetro.

Dispensador de detergente

El lavavajillas tiene tres agujeros taponados de 2,2 cm (7/8 in) de diámetro; dos en las paredes laterales superiores traseras del tanque (uno a la izquierda y otro a la derecha, Fig. 7) y uno en la parte inferior derecha del tanque de lavado (Fig. 8). Con el tanque vacío, retire los dos tapones para instalar el dispensador de detergente.

- Los agujeros superiores del tanque son para la instalación del tubo alimentador de detergente (utilice la ubicación del lado izquierdo o derecho).
- El agujero inferior del depósito se utiliza para la instalación del sensor de detergente.



Fig. 7



Fig. 8

Dispensador de abrillantador

Retire el tapón de 3,2 mm (1/8 in) (NPT) situado en la parte superior de la máquina, en la esquina trasera derecha, para instalar el tubo dispensador de abrillantador e top of the machine at the right rear corner for installation of the rinse aid dispenser tube (Fig. 9).



Fig. 9

DISPENSADORES DE DETERGENTE Y ABRILLANTADOR – CONEXIONES DE EQUIPOS

⚠ ADVERTENCIA Las conexiones eléctricas y las que van a tierra deben cumplir con las secciones correspondientes del Código Nacional de Electricidad NFPA 70 (en su última edición) o con la normativa eléctrica local.

⚠ ADVERTENCIA Desconecte la energía eléctrica de la máquina (tanto del lavavajillas como del sobrecalentador, si se aplica) y siga los procedimientos de bloqueo/ etiquetado. Asegúrese de que todos los circuitos están desconectados.

Esta máquina debe funcionar con un alimentador automático de detergente que incluya un medio visual para verificar que se suministran los detergentes o una alarma visual o audible para señalar si los detergentes no están disponibles para su suministro a los respectivos sistemas de lavado y desinfección. Consulte la sección de instalación de este manual y los manuales de los equipos de alimentación de productos químicos.

Dispensador de detergente

Los terminales DPS-3 y DPS-4 (Fig. 10) se alimentan con la tensión de línea de la máquina controlada. Se encienden durante el ciclo de lavado y se apagan entre ciclos, cuando la máquina está en ciclo de eliminación de sarro o cuando la alimentación eléctrica de la máquina está apagada. **La capacidad máxima del dispensador de detergente conectado al DPS-3 y al DPS-4 es de 1,5 amperios a la tensión de línea.** Compruebe la tensión de alimentación de la máquina y utilice la tensión correspondiente del transformador de alimentación. Utilice un cable aislado de 600 voltios como mínimo para las conexiones. No utilice cable de campana, cable de lámpara o cable de tipo similar. Las conexiones de empalme, si son necesarias, deben realizarse en la caja de conexiones del transformador de alimentación (suministrada por terceros) - no en el recinto de los controles principales. Utilice el orificio de 2,2 cm (7/8 in) de diámetro situado debajo de la máquina en la parte delantera derecha para el accesorio de conducto de tamaño comercial de 1,27 cm (1/2 in). Para acceder, retire el panel frontal inferior y el panel lateral derecho. Todos los cables deben estar provistos de accesorios de alivio de tensión.

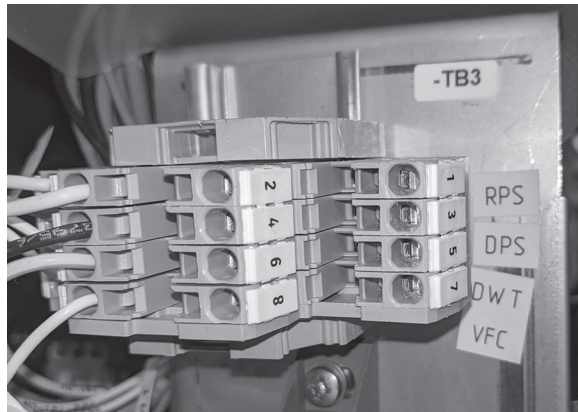


Fig. 10

Dispensador de abrillantador

Los bornes RPS-1 y RPS-2 (Fig. 10) se alimentan con la tensión de línea de la máquina controlada. Se encienden durante el ciclo de enjuague y se apagan entre ciclos, cuando la máquina está en el ciclo de eliminación de sarro o cuando la alimentación de la máquina está apagada. **La capacidad máxima del dispensador de abrillantador conectado a RPS1 y RPS2 es de 1,5 amperios a la tensión de línea.** Compruebe la tensión de alimentación de la máquina y utilice la tensión correspondiente del transformador de alimentación. Utilice un cable aislado de 600 voltios como mínimo para las conexiones. No utilice cable de campana, cable de lámpara o cable de tipo similar. Las conexiones de empalme, si son necesarias, deben realizarse en la caja de conexiones del transformador de alimentación (suministrada por terceros) - no en el recinto de los controles principales. Utilice el orificio de 2,2 cm (7/8 in) de diámetro situado debajo de la máquina en la parte delantera derecha para el accesorio de conducto de tamaño comercial de 1,27 cm (1/2 in). Para acceder, retire el panel frontal inferior y el panel lateral derecho. Todos los cables deben estar provistos de accesorios de alivio de tensión.

FUNCIONAMIENTO

PREPARACIÓN

El tubo debe estar en su ubicación correcta debajo del canasto colador (Fig. 11). Coloque la bandeja del colador y el canasto colador en su posición correcta (Fig. 12).



Fig. 11



Fig. 12

NOTA: Al instalar el canasto colador, asegúrese de que el canasto esté en la posición de "bloqueo" (Fig. 13).



Fig. 13

Se requiere un dispensador automático de detergente. Siga atentamente las instrucciones del proveedor.

Cierre la puerta. Pulse el botón POWER (Encendido) para encender (Fig. 14). Si la puerta de la máquina está cerrada y no hay agua en el depósito, el ciclo de llenado comenzará automáticamente. Si se detecta agua en el tanque, la máquina comprobará la temperatura del agua y si el agua está fría, la máquina vaciará el agua antes de llenarlo con agua fresca. Si el agua está caliente, la máquina procederá a calentar el agua hasta el punto de ajuste de la temperatura del tanque de lavado. Durante el ciclo de llenado, se muestra la palabra FILLING junto con la imagen de un cubo llenándose para mostrar el progreso (Fig. 15).

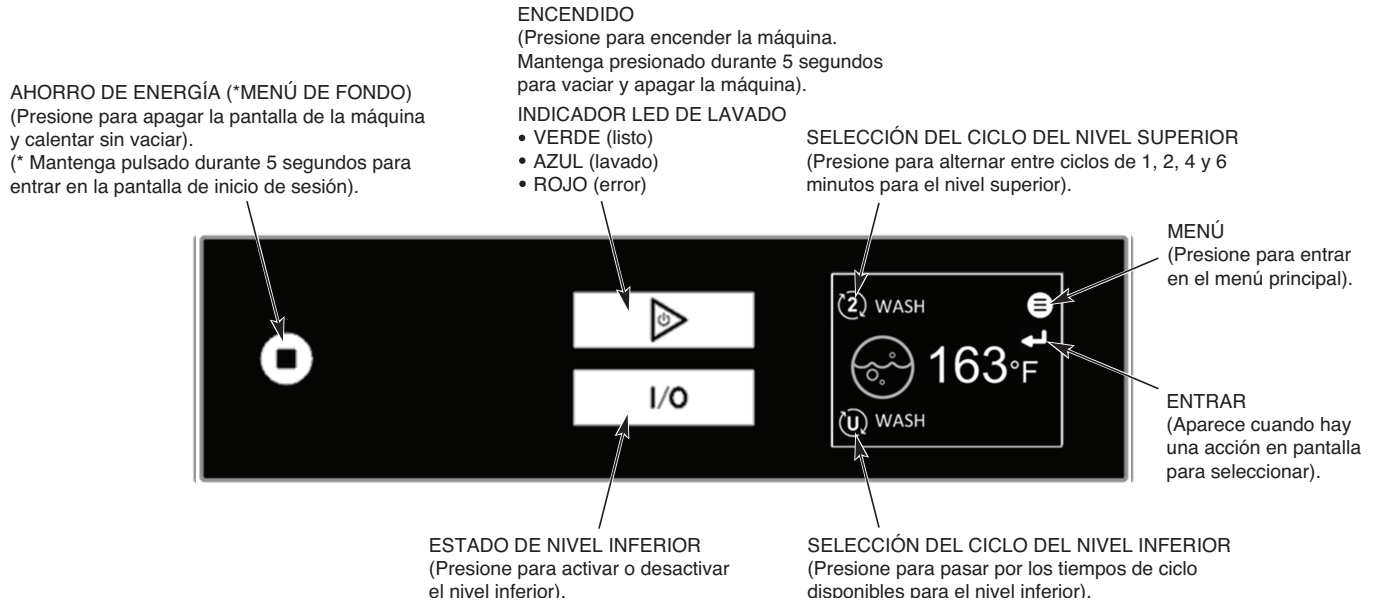


Fig. 14

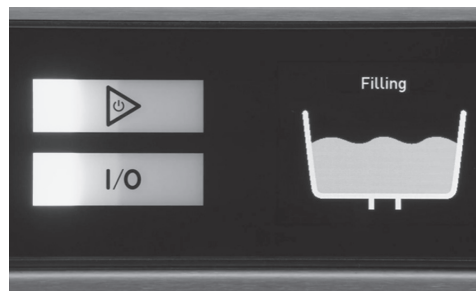


Fig. 15

LAVADO

Raspe los platos para eliminar las partículas grandes de comida y los restos. No utilice nunca lana de acero en la vajilla que se va a cargar en el lavavajillas.

Coloque los platos en una cesta. No apile los platos uno encima del otro, ya que el agua debe tener libre acceso a todos los lados de cada plato. Coloque los platos y la vajilla de canto en una cesta con espigas (Fig. 16). Las tazas, los vasos y los cuencos deben estar invertidos en una cesta de tipo abierto o de tipo compartimentado (Fig. 16). Los cubiertos y otras piezas pequeñas pueden estar esparcidos de forma suelta por el fondo de una cesta de fondo plano.

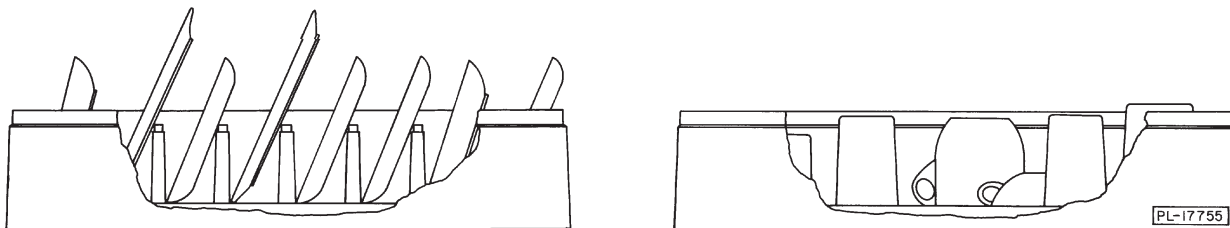


Fig. 16

No permita que ingresen a la unidad objetos extraños, especialmente contaminantes metálicos. Seleccione el ciclo de lavado: 1 para la vajilla normal, 2, 4 o 6 para las ollas y sartenes.

A cada ciclo de lavado le sigue un enjuague automático. Cuando el ciclo de enjuague se ha completado y el icono de enjuague se apaga, se puede abrir la puerta. Si sólo se utiliza la parte superior, se puede desactivar la parte inferior al presionar el botón I/O. Antes de poder desactivar la zona de lavado inferior, es necesario retirar la vajilla de la zona de lavado inferior.

Para la vajilla de la sección inferior que puedan requerir varios ciclos de lavado, seleccione el ciclo de utensilios. Cuando se ajusta al ciclo de utensilios, la zona de lavado inferior realizará tres ciclos de lavado seguidos por un solo ciclo de enjuague. La sección superior sigue ejecutando los ciclos normales cuando se ajusta al modo de ciclo de utensilios; un ciclo de lavado seguido de un solo ciclo de enjuague.

NOTA: Sólo la sección superior está clasificada por la NSF para ollas y sartenes.

Después de llenar una cesta, abra la puerta, introduzca la cesta en el lavavajillas y cierre la puerta.

A lo largo del ciclo de lavado, la temperatura del agua del tanque se muestra en la pantalla del panel frontal, junto con la palabra WASH (Lavar) y un icono. Durante el ciclo de enjuague, se muestra la temperatura del agua de enjuague, junto con la palabra RINSE (enjuague) y un icono. Una vez finalizado el ciclo de enjuague, el indicador muestra la temperatura del agua del tanque.

NOTA: Las zonas de lavado superior e inferior comparten la misma agua de lavado y enjuague, por lo que sólo se muestra una lectura de temperatura que representa ambas secciones.

Cuando la pantalla indique que el ciclo se ha completado, abra la(s) puerta(s), retire la vajilla limpia, introduzca otra cesta y cierre la(s) puerta(s).

Este lavavajillas no debe abrirse hasta que se haya completado un ciclo, pero si hay que añadir un plato después de que haya comenzado el ciclo de lavado, abra la puerta lentamente, hasta que la bomba se detenga. Espere 10 segundos para permitir que el brazo de lavado baje por inercia y para evitar que el agua salpique antes de abrir la puerta por completo.

Temperaturas de funcionamiento del AMTL:

Modo de desinfección	Temperatura de lavado Lavado mínimo	Temperatura de enjuague Enjuague mínimo
Agua caliente	66 °C (150 °F)	82 °C (180 °F)

LIMPIEZA

La máquina se debe limpiar minuciosamente al terminar cada turno de trabajo o, al menos, diariamente. Nunca utilice lana de acero para limpiar las superficies del lavavajillas. Use solo productos formulados para proteger el acero inoxidable.

1. Asegúrese de que las puertas superior e inferior estén cerradas.
2. Mantenga presionado el botón de encendido durante 5 segundos (hasta que la barra de progreso esté completa) para vaciar y apagar la máquina.
3. Una vez que la pantalla se haya apagado, abra las puertas superior e inferior.
4. Retire la guía de la rejilla de la sección superior, los brazos de lavado y enjuague superior e inferior y la placa divisoria (Fig. 17). A continuación, retire la guía de la rejilla de la sección inferior y los brazos de lavado y enjuague (Fig. 18). Lave y enjuague bien todos los componentes retirados en un fregadero con un limpiador suave. Asegúrese de que los brazos de lavado y enjuague estén libres de obstrucciones. NOTA: Consulte la sección de mantenimiento (página 25) para el desmontaje del brazo de lavado y enjuague.

NOTA: No golpee los brazos de lavado o de enjuague para limpiarlos.

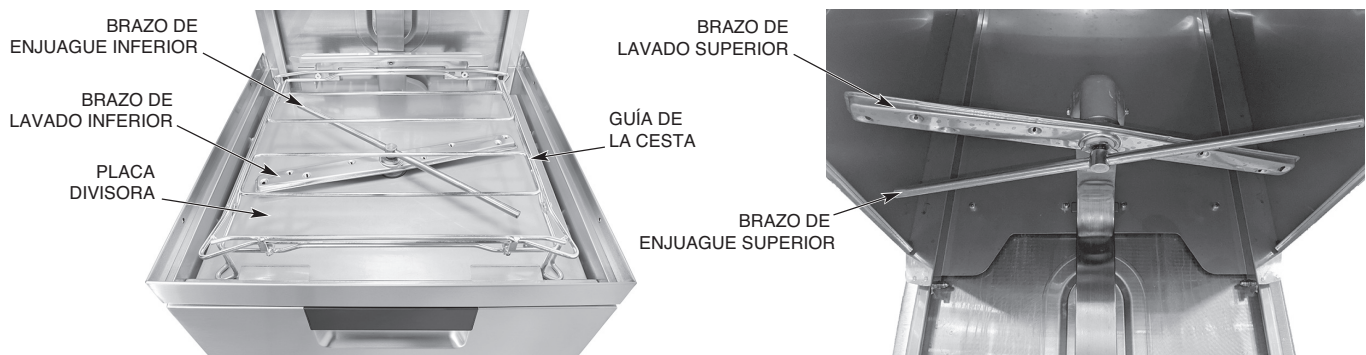


Fig. 17



Fig. 18

5. Limpie bien y enjuague el interior del lavavajillas. Elimine los restos de suciedad con un paño suave o un cepillo y un limpiador suave. Enjuague de nuevo.
6. Retire el canasto colado, la bandeja del colador y el tubo de desagüe vertical (Fig. 19). Lave y enjuague bien en un fregadero con un limpiador suave.

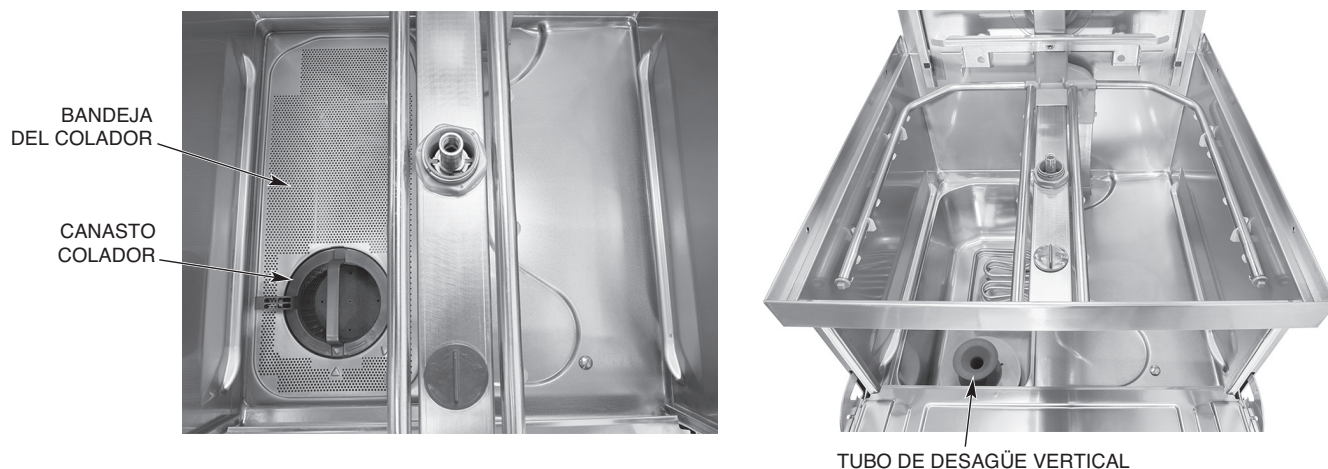


Fig. 19

7. Limpie el fondo del tanque. No permita que los restos de los alimentos se acumulen en el fondo del tanque o que entren en el desagüe.
8. Vuelva a colocar todas las piezas retiradas en orden inverso. Deje las puertas de la máquina abiertas para que el interior se ventile y se seque.

INSTRUCCIONES PARA ELIMINAR EL SARRO

Proceso manual de eliminación de sarro

La máquina indicará al operador cuándo debe realizar la eliminación de sarro en función de la dureza del agua y del uso de la máquina. Cuando se le pida, en la pantalla se leerá 'Delime Required (Eliminación de sarro requerida). "Start Delime Cycle?" (¿Iniciar ciclo de eliminación de sarro?). Si está preparado para eliminar el sarro, pulse cualquier botón de flecha direccional para resaltar "Yes" (Sí) y pulse el botón "Enter". Presione el botón Enter en 'No' para eliminar el sarro de la máquina más tarde. Si se selecciona "Sí", pase al paso 3 a continuación. Inicie el proceso en el paso 1 si está iniciando el proceso de eliminación de sarro manual sin el aviso.

1. Desplácese por el menú de la pantalla para seleccionar 'Delime Program' (Programa de eliminación de sarro)..
2. La pantalla mostrará el mensaje 'Start Delime Cycle?' ¿Iniciar el ciclo de eliminación de sarro? Pulse cualquier botón de flecha direccional para resaltar "yes" (Sí) y pulse el botón "Enter".
3. La pantalla indicará 'Please clean strainer' (Por favor, limpie el colador). Abra la puerta de la máquina y retire el canasto colador y la bandeja del colador. Limpie el canasto y la bandeja en un fregadero con un detergente suave y enjuague.
4. Vuelva a colocar la bandeja del colador y la cesta del colador en la máquina y asegúrese de que la cesta está en la posición de bloqueo.

5. Cierre la puerta de la máquina y presione el botón Enter. La máquina se drenará. Una vez que la máquina se haya drenado, la pantalla indicará 'Please add delime' (Por favor, introduzca la solución para la eliminación de sarro). Abra la puerta de la máquina y vierta la cantidad necesaria de producto químico de eliminación de sarro en el tanque de lavado según las recomendaciones del proveedor de productos químicos para el tanque de lavado de 30 l (7,9 galones) y cierre la puerta.
6. Una vez que la puerta esté cerrada, pulse el botón Enter. El tanque se llenará de agua potable. Una vez llena, la unidad comenzará un ciclo de lavado de 10 minutos. Nota: El botón Enter no aparecerá en la pantalla hasta que la puerta se abra y se cierre.
7. Después del ciclo de lavado de 10 minutos, la máquina se drenará y se volverá a llenar con agua fresca. Una vez llenada, la unidad iniciará un ciclo de lavado de 1 minuto para eliminar cualquier residuo químico de la eliminación de sarro restante.
8. Después de un ciclo de lavado de 1 minuto, la máquina se drenará y se apagará.

NOTA: Durante el ciclo de eliminación de sarro, 'DELIME' aparecerá en la pantalla cuando no se solicite la interfaz de usuario.

QUÉ HACER Y QUÉ NO HACER CON SU LAVAVAJILLAS NUEVO DE HOBART

Asegúrese de que la dureza del agua es la adecuada (se recomienda 3 granos o menos por galón). Retire previamente todos los desechos de la vajilla.

Utilice únicamente los detergentes recomendados por su profesional químico.

Al final del día, limpie bien la máquina, enjuáguela y séquela (deje la puerta abierta). Siga al pie de la letra el programa de eliminación de sarro indicado por su profesional químico.

USE solo productos formulados para proteger el acero inoxidable. NO utilice detergentes formulados para lavavajillas residenciales. NO permita que restos de alimento se acumulen en el fondo del tanque.

NO supere las concentraciones de detergente, desinfectante, abrillantador o de eliminación de sarro recomendadas por el fabricante.

NO use lana de acero para limpiar los utensilios o las superficies del lavavajillas.

NO permita que entren objetos extraños en la unidad, especialmente contaminantes metálicos como clips, retenedores, etc.

NOTA: El incumplimiento de las instrucciones de uso, cuidado y mantenimiento puede anular la garantía de su lavavajillas Hobart.

PROGRAMACIÓN

MENÚ ADMINISTRADOR

Las máquinas de platos AMTL permiten opciones de personalización para el funcionamiento de la máquina. Para activar o modificar estas funciones, acceda al Menú administrador mediante el siguiente procedimiento.

1. Enciende el lavavajillas. La pantalla muestra la pantalla de listo cuando se ha completado el ciclo de llenado.
2. Pulse el botón "Menu".
3. Con la opción "Manager Menu" (menú administrador) resaltada, pulse el botón "Enter". Aparecerá la pantalla "Enter PIN" (introducir PIN).
4. El código de administrador por defecto es el 1001. Utilice los botones de flecha para cambiar el valor y presione el botón "Enter" para seleccionar el valor y pasar al siguiente dígito hasta introducir el código.
5. Utilice las flechas direccionales arriba y abajo para cambiar el menú administrador.
 - a. Una vez perfilada la selección deseada, pulse el botón Enter.
 - b. Para las selecciones editables, utilice las flechas direccionales Arriba y Abajo para cambiar el valor.
 - c. Una vez que aparezca el valor deseado, pulse el botón "Enter" para guardar la selección.
6. Para salir de la programación, utilice las flechas direccionales arriba y hacia abajo para desplazarse por los parámetros hasta que aparezca "back" (atrás) y pulse el botón "Enter". Repita este procedimiento hasta que aparezca la pantalla de listo.

PARÁMETROS DEL MENÚ ADMINISTRADOR

Nombre del parámetro	Descripción	Valores posibles	Valor predeterminado
AJUSTES DE LA MÁQUINA			
Idioma	Establece el idioma para la visualización de la máquina.	Inglés, francés, español, etc.	Inglés
Fecha	Establece el día, el mes y el año actual.		
Tiempo	Selecciona la hora actual (horas y minutos). La hora también se puede actualizar en formato de 24 horas.		
Unidades de temperatura	Ajusta las pantallas de temperatura a Fahrenheit o Celsius.	Fahrenheit o Celsius.	Fahrenheit
AJUSTES DE PANTALLA			
Brillo	Aumenta o disminuye el brillo de la pantalla de la máquina.		

Nombre del parámetro	Descripción	Valores posibles	Valor predeterminado
ALARMA DE LA MÁQUINA			
Alarma de la máquina	Activa o desactiva una alarma sonora de fin de ciclo.	Habilitar o Deshabilitar	Habilitar
DUREZA DEL AGUA			
Establece la dureza del agua	Establece la dureza del agua de suministro.	0 gr/gal - 250 gr/gal	250 gr/gal
REGISTRO DEL CICLO DE LA MÁQUINA			
Mostrar información del ciclo	Muestra la fecha y la hora de los ciclos anteriores.		
ENCENDIDO AUTOMÁTICO *			
Habilitar/Deshabilitar	Permite desactivar o activar la función de arranque automático.	Habilitar o Deshabilitar	Deshabilitar
Ajustes	Establece el día de arranque automático de la semana y la hora. Si la función está activada, la máquina se encenderá automáticamente y se llenará en el día y la hora establecidos.		
WiFi			
Habilitar/Deshabilitar	Activa o desactiva la conexión WiFi.	Habilitar o Deshabilitar	Deshabilitar
Estado	Muestra el estado actual de la conexión WiFi de la máquina.		
Asistente de conexión	<ul style="list-style-type: none"> • Búsqueda de red • Agregar red 		
Código de acceso	Genera un código de acceso que puede utilizarse para vincular la máquina con la aplicación SmartConect.		
Prueba de conexión	Prueba la conexión WiFi con la máquina para confirmar la conectividad WiFi.		
Instalación manual	<ul style="list-style-type: none"> • Búsqueda de red • Agregar red 		
TEMPLADO DEL AGUA DE DESAGÜE			
Enable/Disable (Activar/Désactivar)	Activa la válvula de templado del agua de desagüe. Nota: Requiere la instalación de un kit opcional de templado de agua de desagüe.		

APLICACIÓN HOBART SMARTCONNECT

Gracias al WiFi integrado, puede conectar su lavavajillas comercial AM16 a nuestra sencilla aplicación para teléfonos inteligentes. Con la aplicación gratuita Hobart SmartConnect, puede crear mejores procedimientos y mejorar el rendimiento en el recinto para la vajilla supervisando la desinfección y analizando el uso, el consumo y los costos. **NOTA:** Para suministros de 240 voltios, 380 voltios y 440 voltios, póngase en contacto con el servicio técnico de Hobart para ajustar el valor de potencia en los ajustes de servicio para obtener valores de consumo de energía precisos.

Conexión

Registrar una cuenta

1. Abra la aplicación y pulse en **Register** (Registro).
2. Introduzca su correo electrónico y pulse **Send Verification Code** (Enviar código de verificación). A continuación, introduzca el código que reciba en su correo electrónico.
3. Proporcione el resto de la información, incluida la contraseña.
4. Pulse **Create** (Crear).
5. Lea y acepte el acuerdo de licencia de usuario final y la política de privacidad. Pulse **Confirm** (Confirmar) al terminar.

Ahora puede utilizar la aplicación para conectarse al WiFi y sincronizar su máquina.

Conexión del AM16 al WiFi desde la aplicación SmartConnect

1. Pulse el "Hamburger Menu Icon" (Icono del menú hamburguesa) y pulse el botón "**WiFi**".
2. Pulse "**Connect**" (Conectar) para Hobart.
3. Siga la guía de la aplicación para preparar la máquina para la conexión.
4. Pulse "**Confirm Instructions**" (Confirmar instrucciones) y pulse "**Yes**" (Si) si la máquina está lista para la conexión.
5. La máquina generará un código; introdúzcalo en la aplicación y se conectará con la máquina.
6. Aparecerá una lista de redes disponibles. Seleccione la red a la que desea conectarse e introduzca la contraseña de la red si es necesario.
7. Cuando la conexión WiFi sea exitosa, la máquina indicará el éxito y mostrará un código de acceso para emparejarse con la aplicación.
8. En la pantalla principal de la aplicación, pulse el icono del menú de hamburguesas, luego pulse el botón "+" e introduzca el código de acceso para emparejar.

Conectando el AM16 al WiFi desde la máquina

1. Pulse el "Hamburger Menu Icon" (Icono del menú hamburguesa), seleccione "**Manager Menu**" (menú administrador) e introduzca su PIN.
2. Desplácese y pulse el botón "**Enter**" para seleccionar "**WiFi**".
3. Desplácese y seleccione "**Connection Assistant**" (Asistente de conexión).
4. Desplácese y seleccione "**Search Network**" (Buscar red).

5. Desplácese y seleccione la red disponible a la que desea conectarse.
6. Introduzca la contraseña de su red y pulse “**OK**”.
7. La máquina se conectará a su red, transferirá los datos a la nube SmartConnect y mostrará un código de conexión para la aplicación.

Si su máquina no se conecta al WiFi, vaya a nuestras preguntas frecuentes en www.itwfoodequipment.com/smartconnect365/help para solucionar su conexión.

Para emparejar y añadir su AM16 a la aplicación

Antes de realizar el emparejamiento, asegúrese de que su máquina está conectada al WiFi siguiendo los pasos anteriores. Para emparejar su Hobart AM16 con la aplicación SmartConnect:

Desde el lavavajillas

1. Toque el icono del menú para entrar en el menú administrador de su lavavajillas.
2. Seleccione el “**Manager Menu**” (Menú administrador) e introduzca su PIN.
3. Desplácese y seleccione “**WiFi**”.
4. Desplácese y seleccione “**Access Code**” (Código de acceso).
5. Se generará y mostrará un código de activación. Este código es válido durante 48 horas.

Desde la aplicación

1. Pulse el botón “**+**” en la parte inferior de la lista de máquinas.
2. Introduzca el código de activación que se encuentra en el menú administrador de la pantalla táctil de la máquina y, a continuación, pulse **Submit**.
3. Seleccione su proveedor de servicios en el menú desplegable.
4. Pulse **Finish** (Terminar).

Su máquina aparecerá ahora en la lista de máquinas de la pantalla de inicio de la aplicación.

Para obtener más información sobre SmartConnect, incluidas las instrucciones de uso, la solución de problemas de su conexión WiFi y otras preguntas generales, visite la guía de ayuda y preguntas frecuentes de SmartConnect en www.itwfoodequipment.com/smartconnect365/help.

MANTENIMIENTO

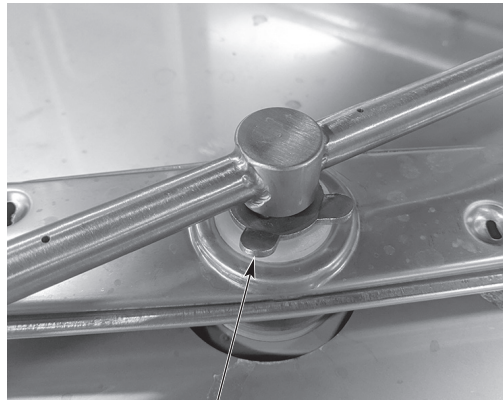
⚠ ADVERTENCIA Desconecte la energía eléctrica de la máquina (tanto del lavavajillas como del sobrecalentador, si se aplica) y siga los procedimientos de bloqueo/etiquetado. Asegúrese de que todos los circuitos están desconectados.

BRAZOS DE LAVADO Y ENJUAGUE

Los brazos de lavado y enjuague superior e inferior de la sección superior y los brazos de lavado y enjuague inferior de la sección inferior (página 18, Figs. 17, 18) deben girar libremente y continuar girando durante unos segundos después de ser girados a mano. Retire cualquier obstáculo que provoque un funcionamiento incorrecto.

Si la bandeja del colador o el canasto colador no están bien colocados, las obstrucciones (como partículas de comida) pueden obstruir las boquillas del brazo de lavado. Los brazos de lavado se extraen fácilmente para su limpieza.

Para retirar el brazo de lavado de la sección superior, desenrosque la perilla manualmente (Fig. 20) y levante el brazo de enjuague. El brazo de lavado se puede levantar una vez retirado el brazo de enjuague.



PERILLA DE MANO

Fig. 20

Los brazos de lavado y enjuague de la sección superior se extraen desenroscando la perilla manualmente (Fig. 21) y bajando ambos brazos a la vez. Tenga cuidado de no dejar caer los brazos.



Fig. 21

El brazo de enjuague de la sección inferior puede extraerse presionando las lengüetas azules del brazo de enjuague y tirando hacia arriba (Fig. 22). El brazo de lavado se levantará una vez que se retire el brazo de enjuague.



Fig. 22

MOTOR(ES)

El motor de la bomba de lavado, el motor de la bomba de enjuague, y el motor de la bomba de drenaje están equipados con rodamientos de lubricación permanente y no requieren mantenimiento de lubricación.

SOLUCIÓN DE PROBLEMAS

TABLA DE CÓDIGOS DE ERROR CON POSIBLES SOLUCIONES

N° de error	Texto en pantalla	Descripción del error	Solución de problemas
001	Error de temperatura del sobrecalentador.	La temperatura del sobrecalentador es de 115 °C/239 °F o superior.	Presione el botón de encendido durante 5 segundos para borrar el error. La unidad se drenará y se apagará. Si el error persiste, póngase en contacto con el servicio técnico de Hobart.
002	Error de temperatura del sobrecalentador.	La temperatura del sobrecalentador es de 0° C/32° F o inferior.	Presione el botón de encendido durante 5 segundos para borrar el error. La unidad se drenará y se apagará. Si el error persiste, póngase en contacto con el servicio técnico de Hobart.
003	No se ha alcanzado la temperatura de sobrecalentamiento durante el ciclo de llenado.	Durante el ciclo de llenado, la temperatura del sobrecalentador no alcanzó el punto de ajuste dentro del tiempo predeterminado.	Presione el botón ENTER para quitar el error. Si el error persiste, póngase en contacto con el servicio técnico de Hobart.
004	No se alcanza la temperatura de sobrecalentamiento durante el ciclo de lavado.	Durante el ciclo de lavado, la temperatura del calentador no alcanzó el punto de ajuste dentro del tiempo predeterminado.	Presione el botón ENTER para quitar el error. Si el error persiste, póngase en contacto con el servicio técnico de Hobart.
006	Error en la temperatura de lavado.	La temperatura del tanque de lavado es de 115 °C/239 °F o superior.	Presione el botón de encendido durante 5 segundos para borrar el error. La unidad se drenará y se apagará. Si el error persiste, póngase en contacto con el servicio técnico de Hobart.
007	Error en la temperatura de lavado.	La temperatura del tanque de lavado es de 0 °C/32 °F o inferior.	Presione el botón de encendido durante 5 segundos para borrar el error. La unidad se drenará y se apagará. Si el error persiste, póngase en contacto con el servicio técnico de Hobart.
008	No se ha alcanzado la temperatura del tanque de lavado durante el ciclo de llenado.	Durante el ciclo de llenado, la temperatura del tanque de lavado no alcanzó el punto de ajuste dentro del tiempo predeterminado.	Presione el botón ENTER para quitar el error. Si el error persiste, póngase en contacto con el servicio técnico de Hobart.
009	No se alcanza la temperatura en el tanque de lavado durante el ciclo de lavado.	Durante el ciclo de lavado, la temperatura del tanque de lavado no alcanzó el punto de ajuste dentro del tiempo predeterminado.	Presione el botón ENTER para quitar el error. Si el error persiste, póngase en contacto con el servicio técnico de Hobart.
014	Fallo del sensor de presión del sobrecalentador.	Se ha superado el nivel máximo de agua sobrecalentada. La máquina no funcionará.	Presione el botón de encendido durante 5 segundos para borrar el error. La unidad se drenará y se apagará. Si el error persiste, póngase en contacto con el servicio técnico de Hobart.

N° de error	Texto en pantalla	Descripción del error	Solución de problemas
015	Fallo del sensor de presión del sobrecalentador.	No se ha alcanzado el nivel mínimo de agua sobrecalentada. La máquina no funcionará.	Presione el botón de encendido durante 5 segundos para borrar el error. La unidad se drenará y se apagará. Si el error persiste, póngase en contacto con el servicio técnico de Hobart.
016	Fallo del sensor de presión del tanque de lavado.	Se ha superado el nivel máximo de agua del tanque de lavado. La máquina no funcionará.	Presione el botón de encendido durante 5 segundos para borrar el error. La unidad se drenará y se apagará. Si el error persiste, póngase en contacto con el servicio técnico de Hobart.
017	Fallo del sensor de presión del tanque de lavado.	No se ha alcanzado el nivel mínimo de agua del tanque de lavado. La máquina no funcionará.	Presione el botón de encendido durante 5 segundos para borrar el error. La unidad se drenará y se apagará. Si el error persiste, póngase en contacto con el servicio técnico de Hobart.
018	El nivel de agua del tanque de lavado es demasiado alto.	El nivel de agua del tanque de lavado está por encima del límite superior.	Pulse el botón ENTER si se muestra para borrar el error. Si no aparece el botón ENTER, pulse el botón de encendido durante 5 segundos. La máquina se vaciará y se apagará. Si el error persiste, póngase en contacto con el servicio técnico de Hobart.
019	Colador del tanque obstruido. Retire el colador, límpielo y vuelva a colocarlo en su sitio.	La bandeja del colador del tanque está obstruida.	Retire, limpie y vuelva a colocar la bandeja del colador. Presione el botón ENTER para quitar el error. La máquina se vaciará y se apagará si el nivel de agua es bajo. Si el nivel de agua ha vuelto a la normalidad, la máquina se apagará, pero no se vaciará. Encienda la máquina para que siga funcionando.
020	Error del sensor de presión del tanque de lavado. Drene y reinicie la máquina.	El nivel de agua del tanque de lavado no aumentó en la cantidad prevista después de llenarse con el ciclo de enjuague.	Presione el botón ENTER para quitar el error. La máquina se vaciará y borrará el error. Asegúrese de que el tanque está limpio. Si el error persiste, póngase en contacto con el servicio técnico de Hobart.
021	La manguera de drenaje está obstruida. Limpie la manguera de drenaje y vuelva a vaciar la máquina.	Queda mucha agua en el tanque de lavado después del ciclo de drenaje.	Asegúrese de que la máquina esté apagada y que el agua de lavado se haya enfriado. Verifique que el tubo y el fondo del tanque de lavado estén libres de residuos. Limpie la manguera de drenaje y drene la máquina. Asegúrese de que la manguera de drenaje no está doblada y está instalada correctamente. Si el error permanece en la pantalla, pulse el botón de encendido durante 5 segundos para borrar el error. La máquina se drenará y se apagará.

N° de error	Texto en pantalla	Descripción del error	Solución de problemas
022	La manguera de drenaje está obstruida. Limpie la manguera de drenaje.	Durante el ciclo de lavado, el nivel de agua no se mantiene en el nivel normal.	Asegúrese de que la máquina esté apagada y que el agua de lavado se haya enfriado. Verifique que el tubo y el fondo del tanque de lavado estén libres de residuos. Limpie la manguera de drenaje y drene la máquina. Asegúrese de que la manguera de drenaje no está doblada y está instalada correctamente. Si el error permanece en la pantalla, pulse el botón ENTER para borrar el error.
029	Programa interrumpido. Cierre la puerta.	La puerta se abre durante el funcionamiento de la máquina.	Cierre la puerta y asegúrese de que está completamente asentada. La operación actual se reanuda. Si el error persiste, póngase en contacto con el servicio técnico de Hobart.
032	Error de llenado, inspeccionar la línea de agua entrante.	El nivel de agua sobrecalentada no ha alcanzado el nivel adecuado en el tiempo establecido.	Asegúrese de que el suministro de agua entrante está abierto y que la manguera de llenado no está doblada. Verifique que la presión del agua esté entre 15 y 65 psi. Presione el botón ENTER para quitar el error. Si el error persiste, póngase en contacto con el servicio técnico de Hobart.
033	Error de la válvula de llenado.	La válvula de llenado ha estado activa durante más tiempo que el máximo permitido.	Asegúrese de que el suministro de agua entrante está abierto y que la manguera de llenado no está doblada. Verifique que la presión del agua esté entre 15 y 65 psi. Presione el botón ENTER para quitar el error. Si el error persiste, cierre el suministro de agua y póngase en contacto con el servicio técnico de Hobart.
035	Asegúrese de que el colador del tanque está bloqueado en su lugar.	El canasto de residuos interno no está insertado, o no está en la posición de bloqueo.	Asegúrese de que el canasto de residuos está correctamente instalado y en la posición de bloqueo. La flecha del canasto de residuos debe coincidir con la flecha de la bandeja del colador. Si se instala correctamente, el error se eliminará automáticamente. (Consulte la página 15, Fig. 13)
038	La potencia de entrada a la máquina es demasiado alta. La máquina se ha apagado.	La tensión de entrada es superior a la tensión máxima requerida de la máquina.	La tensión de entrada debe ser igual o inferior a la tensión necesaria de la máquina (refiérase a la placa de datos de la máquina). Desconecte el suministro del disyuntor y asegúrese de que la unidad está conectada con el suministro de voltaje adecuado. Presione Enter para borrar el error.

N° de error	Texto en pantalla	Descripción del error	Solución de problemas
039	Ciclo de llenado interrumpido. Cierre la puerta.	La puerta se abre durante el ciclo de llenado.	Cierre la puerta y asegúrese de que está completamente asentada. El ciclo de llenado se reanuda. Si el error persiste, póngase en contacto con el servicio técnico de Hobart.
049	La comunicación entre los controles se ha interrumpido.	Interrupción de la comunicación entre la placa de control y la pantalla táctil.	La comunicación entre los controles debería restablecerse automáticamente. Si el problema persiste, póngase en contacto con el servicio técnico de Hobart.
052	La manguera de drenaje está obstruida.	El nivel de agua del tanque de lavado está por encima del límite superior.	Asegúrese de que la máquina esté apagada y que el agua de lavado se haya enfriado. Verifique que el tubo y el fondo del tanque de lavado estén libres de residuos. Limpie la manguera de drenaje y drene la máquina. Asegúrese de que la manguera de drenaje no está doblada y está instalada correctamente. Si el error permanece en la pantalla, pulse el botón de encendido durante 5 segundos para borrar el error. La máquina se drenará y se apagará.
057	El tanque de lavado se está llenando. El ciclo comenzará cuando se reponga el agua.	El nivel de agua del tanque de lavado es bajo al inicio del ciclo de lavado.	La máquina se llena automáticamente mientras se disipa el error. Una vez alcanzado el nivel de agua adecuado, se iniciará el ciclo de lavado.
059	La conexión a la nube no está disponible.	WiFi está conectado, los datos no se pueden enviar a la nube.	Pulsa en AYUDA en la aplicación Smart Connect y consulte la resolución de problemas en las preguntas frecuentes para obtener orientación.
070	No se ha alcanzado la temperatura mínima de lavado.	La temperatura de lavado no alcanzó el punto de ajuste mínimo requerido.	Presione el botón ENTER para quitar el error. Si el error persiste, póngase en contacto con el servicio técnico de Hobart.
071	No se ha alcanzado la temperatura mínima de enjuague.	La temperatura de enjuague no alcanzó el punto de ajuste mínimo requerido.	Presione el botón ENTER para quitar el error. Si el error persiste, póngase en contacto con el servicio técnico de Hobart.
080	Eliminación de sarro requerida Ejecute el ciclo de eliminación de sarro.	Si se activa el bloqueo de eliminación de sarro, la máquina se bloqueará si se ignora el recordatorio de eliminación de sarro 10 veces.	Presione el botón ENTER y ejecute un ciclo de eliminación de sarro para restablecer el recordatorio de descalcificación.
081	Temperatura de enjuague final demasiado alta.	La temperatura de enjuague final es de 115 °C/239 °F o superior.	Presione el botón de encendido durante 5 segundos para borrar el error. La unidad se drenará y se apagará. Si el error persiste, póngase en contacto con el servicio técnico de Hobart.

N° de error	Texto en pantalla	Descripción del error	Solución de problemas
082	Temperatura de enjuague final demasiado baja.	La temperatura de enjuague final es de 0 °C/32 °F o inferior.	Presione el botón de encendido durante 5 segundos para borrar el error. La unidad se drenará y se apagará. Si el error persiste, póngase en contacto con el servicio técnico de Hobart.
083	No se alcanza la temperatura mínima de enjuague final.	La temperatura de enjuague final no alcanzó la temperatura mínima de enjuague final después de tres ciclos consecutivos.	Presione el botón ENTER para quitar el error. Si el error persiste, póngase en contacto con el servicio técnico de Hobart.
084	No se alcanza la temperatura mínima de enjuague final. Máquina bloqueada.	Si el bloqueo de enjuague final está activado y la temperatura de enjuague final no alcanzó la temperatura mínima de enjuague final después de tres ciclos consecutivos, la máquina se bloqueará.	Presione el botón de encendido durante 5 segundos para borrar el error. La unidad se drenará y se apagará. Si el error persiste, póngase en contacto con el servicio técnico de Hobart.
085	Se ha disparado la sobretemperatura del tanque de lavado.	Se ha disparado la sobretemperatura del tanque de lavado.	El error no se puede borrar hasta que se haya restablecido la sobretemperatura. Contacte el servicio de Hobart
086	La sobretemperatura del sobrecalentador se ha disparado.	Se ha disparado la sobretemperatura del sobrecalentador.	El error no se puede borrar hasta que se haya restablecido la sobretemperatura. Contacte el servicio de Hobart
087	No se alcanza la temperatura mínima de enjuague final después de repetir el ciclo.	La temperatura de enjuague final es inferior al punto de ajuste.	Presione el botón de encendido durante 5 segundos para borrar el error. La unidad se drenará y se apagará. Si el error persiste, póngase en contacto con el servicio técnico de Hobart.
088	Error del contactor del calentador del tanque de lavado. Contacte el servicio.	El calentador del tanque de lavado permanece encendido mientras se ignora la orden de apagado del software.	La máquina está ejecutando un ciclo de llenado y vaciado para proteger el calentador. Este error no es servible para el usuario. Desconecte el suministro del disyuntor y póngase en contacto con el servicio técnico de Hobart.
089	Error en el contactor del sobrecalentador. Contacte el servicio.	El sobrecalentador permanece encendido mientras se ignora la orden de apagado del software.	La máquina está ejecutando un ciclo de llenado y vaciado para proteger el calentador. Este error no es servible por el usuario. Desconecte el suministro del disyuntor y póngase en contacto con el servicio técnico de Hobart.

SÍNTOMA	CAUSA POSIBLE
No hay funcionamiento de la máquina.	<ol style="list-style-type: none"> Máquina apagada, encienda la máquina. Fusible fundido o disyuntor disparado en la fuente de alimentación.
La vajilla no está limpia.	<ol style="list-style-type: none"> Pérdida de presión del agua por obstrucción de la bomba. ⚠ ADVERTENCIA Desconecte la alimentación eléctrica (tanto del lavavajillas como del sobrecalentador, si se aplica) y vacíe el tanque. Retire el colador y el tubo y compruebe que la entrada de la bomba y el desagüe no están obstruidos. Temperatura del agua incorrecta. Póngase en contacto con el servicio técnico para su ajuste o reparación. Exceso de depósitos minerales en todo el sistema de lavado y enjuague. Puede ser necesario eliminar el sarro, consulte la página 19. Compruebe que los brazos de lavado y de enjuague no estén obstruidos y que giren correctamente. Los coladores están obstruidos y el suministro de agua a la bomba es inadecuado; limpie la máquina según la sección de Limpieza, página 18. Asegúrese de que el dispensador de productos químicos funciona correctamente. Exceso de suciedad; raspe los platos antes del ciclo. Carga incorrecta de las cestas; consulte Preparación y lavado de vajilla, páginas 15, 17.
Manchas en los cubiertos, los vasos y la vajilla.	<ol style="list-style-type: none"> Bandejas mal cargadas. Temperatura incorrecta del agua de enjuague. Pérdida de presión del agua por obstrucción de la bomba. ⚠ ADVERTENCIA Desconecte la alimentación eléctrica (tanto del lavavajillas como del sobrecalentador, si se aplica) y vacíe el tanque. Compruebe si hay alguna obstrucción en la entrada de la bomba. Agua excesivamente dura. Detergente incorrecto para el tipo de agua. Aditivo de enjuague incorrecto para el tipo de agua. Concentración incorrecta de detergente y/o aditivo de enjuague. Exceso de suciedad; raspe los platos antes del ciclo. Asegúrese de que el tanque de lavado se drena y se limpie según sea necesario.
Enjuague inadecuado o temperatura del agua de enjuague demasiado baja.	<ol style="list-style-type: none"> Exceso de depósitos minerales en todo el sistema de lavado y enjuague. Puede ser necesario eliminar el sarro, consulte la página 19. La temperatura del agua entrante al sobrecalentador es inferior a 43.3 °C (110 °F). La máquina extenderá automáticamente el tiempo de lavado hasta que el sobrecalentador se caliente. Asegúrese de que los brazos de enjuague giren libremente.
Válvula con fuga.	<ol style="list-style-type: none"> Si la conexión de la manguera en la válvula tiene fugas, compruebe la junta de la manguera para asegurarse de que está bien asentada y no está desgastada o cortada. Si la electroválvula funciona mal (tiene fugas, no se abre o no se cierra), póngase en contacto con el servicio técnico de Hobart.
Bajo/no hay calor en el tanque de lavado.	<ol style="list-style-type: none"> Garantice un nivel de agua suficiente en el tanque. Asegúrese de que el elemento calefactor esté limpio y sin exceso de sarro.
No se llena o se llena lentamente.	<p>Nota: El tiempo de llenado podría ser de hasta 25 minutos.</p> <ol style="list-style-type: none"> El suministro de agua puede estar cortado; asegúrese de que la válvula de suministro de agua caliente está abierta. Colador sucio en la conexión de la manguera de llenado que provoca una reducción del flujo de agua. Cierre el suministro de agua caliente, retire la manguera de llenado y limpie la malla. Vuelve a montar.

SERVICIO

PIEZAS FUNGIBLES DEL AMTL

Las siguientes piezas de la máquina del lavavajilla AMTL son desechables por naturaleza y pueden no estar cubiertas por la garantía de productos Hobart. Para ver la garantía de los productos Hobart, consulte <https://www.hobartservice.com/service-plans/hobart-product-warranty>.

LISTA DE PIEZAS FUNGIBLES DEL AMTL

Número de pieza	Descripción	Cantidad
04-016320-00001	Junta de la puerta	1
01-539624-00001	Guía - Brazo de lavado	2
00-886610	Kit, tapón del brazo de lavado	1
00-775933-00003	Anillo de retención	2
00-315191	Cesta de espigas	AR
00-315193	Cesta de combinaciones	AR

Póngase en contacto con su oficina local de servicio autorizado Hobart para cualquier reparación o ajuste necesario en este equipo. Existen contratos de servicio a largo plazo para este y otros productos Hobart. Llame al 1-888-4HOBART para el servicio de Hobart las 24 horas del día.

